



Please also note our general details and sales information

Edition 04.02.2019

Errors and amendments excepted. Our General Terms and Conditions are effective. / WEEE-Reg.-No. DE 69718127

### DESIGN

#### CONSTRUCTIVE DESIGN

All the materials used correspond to the requirements according to RAL-GZ 430/3

Single chair, metal base frame, form foam

Seat upholstery structure: zig-zag springs, form foam, Diolen

Back upholstery structure: form foam, Diolen

#### UPHOLSTERY CASUAL / LOOSE

With casual upholsteries you are rather sitting „in the sofa“ than on it, the upholstery snuggles. A casual/loose upholstery is characterized by a smooth upholstery structure. The cover is not waveless. The ridge of the covers on the seat, back and armrests as well as sitzmarks due to the model and design are typical.

#### BACK TENSIONING SECTIONS

All back tensioning sections are supplied as standard with the original cover.

### SEAM

Depending on the model, the seam on leather covers may be different from fabric covers, especially on fitted items. Decorative leather seam (as double lapped felling or double seams) may be omitted depending on the model according to suitability of the fabric covering material.

This model is only worked with stitched hem seam.

### COVERING MATERIALS

You may find the information concerning the specific properties of the covering materials on the sample labels.

Alternative covers of the wide upholstery covering material collection (**exception N-NATURO**) are possible as custom-made product. Therefore an extra charge of all in 20% is valid for fabric and leather.

### LEATHER HOLDER

Leather holder (against extra charge see price sheet) optionally available in:

- black
- brown



### LEGS

#### Chairs SAVX, SVX and SV

Leg solid wood (UV laminated with oil effect) optionally available in:

- beech
- wild oak natural
- wild oak bianco
- walnut (against extra charge see price sheet)

or

- wild oak black stained (lacquered)

from the left to the right:



**Please note:** With the chairs SAVX and SVX the seat is rotatable by 320°. In addition the seat has an automatic return. Here the seat returns self-acting into the basic position on standing up.



#### Chairs SAG and SG

Wire frame optionally available in:

- stainless steel
- metal powder-coated structural black mat



### INDICATIONS OF DIMENSIONS AND REQUIREMENTS

All the values given are approximate values: dimensions in centimetres, material requirements in metres, leather requirements in square metres.



Please also note our general details and sales information

Edition 04.02.2019

Errors and amendments excepted. Our General Terms and Conditions are effective.

## COMBINATION OF COVERING MATERIALS

If desired with this model two different covers can be combined.


Here must be indicated the respectively desired covering material with cover part 1 and cover part 2.

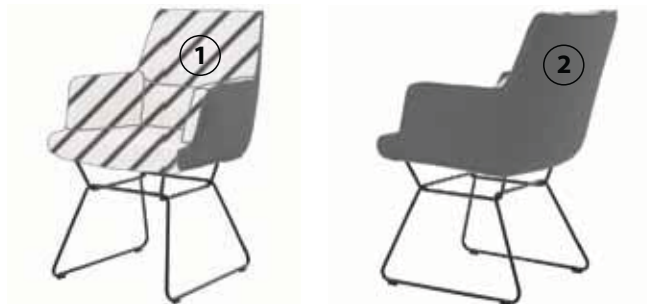
With combination of fabric and leather the leather price will be invoiced as standard.

Fabric- and leather requirement of each cover part on request.


### Chairs with armrest

 cover part 1: seat, back and armrest

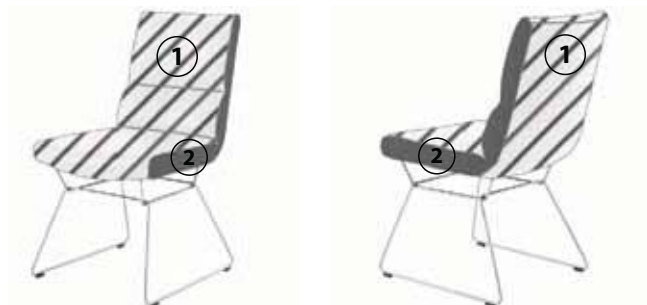
 cover part 2: arm- and back tensioning section



### Chairs without armrest

 cover part 1: seat, back and back tensioning section

 cover part 2: side parts seat and back



## CONTRAST STITCHING

The production is carried out either **with contrast stitching** or with a **thread (tone on tone)** matching the leather in terms of colour.

### CONTRAST STITCHING

With leather covers and with fabric-leather-combinations a **contrast thread colour** must be explicitly chosen.

With bicoloured covers the thread colour will be worked on the front and on the rear side.

Unfortunately with fabric and microfiber covers without leather part a processing with contrast stitching is not possible.

### Exception fabrics 13-BISON, 13-CHASE and 13-TORRERO:

These fabrics can be produced with contrast stitching. A contrast thread colour must be explicitly chosen.

### THREAD TONE ON TONE

The model is worked with a thread matching the cover in terms of colour (tone on tone).

With bicoloured covers and with fabric-leather-combinations the matching thread will be automatically worked on the front and on the rear side.



LIGHT GREY 0321

BEIGE 1222

NOUGAT 0281

GREY 0415

DARK BROWN 1002

BLACK 4000

RED 0504

DARK BLUE 0827

## ORDER CHECK LIST

Please pay attention to the following issues respectively to complete specifications when ordering:

- **article**
- **covering material**, with combination of covering materials
- **covering material per cover part**
- with leather covers and fabric-leather-combination **production with or without contrast stitching**
- with version with contrast stitching **colour of contrast thread**
- with SAVX, SAV, SVX and SV: **finish of solid wooden leg**
- with SAG and SG: **finish of wire frame**
- **finish of leather holder** if desired



Model Details

good till cancelled

Edition 04.02.2019

Errors and amendments excepted. Our General Terms and Conditions are effective.

## | CHAIRS



SD  
SH

	AR-chair leg rotatable	AR-chair leg	Chair leg rotatable	Chair leg	AR-chair wire frame	Chair wire frame
44	<b>SAVX</b> 	<b>SAV</b> 	<b>SVX</b> 	<b>SV</b> 	<b>SAG</b> 	<b>SG</b> 
50						
	H 90 D 66	H 90 D 66	H 91 D 63	H 91 D 63	H 90 D 68	H 91 D 63
<b>W</b>	57	57	48	48	57	48

Requirement	1,50	1,50	1,10	1,10	1,50	1,10

FABRIC

Requirement	2,70	2,70	2,00	2,00	2,70	2,00

LEATHER

For all fabrics and leathers of the current DINING Collection only one price is valid in each case. (Exception Rohleder Studioline-Concept).  
With combination of fabric and leather the leather price will be invoiced as standard.

If desired alternative covers of the wide upholstery covering material collection (exception N-NATURO) are possible as custom-made product. Therefor an extra charge of all in 20% is valid for fabric and leather.