

# FLIP

## MOOME COLLECTION



# FLIP

## PRODUCT INFORMATION

### FINISH NOTES

#### **NOT AVAILABLE IN LEATHERS:**

W401XX

W429XX

W477XX

W510XX

**[CLICK TO VIEW FABRICS & LEATHERS](#)**

# FLIP

## PRODUCT INFORMATION

### BASE OPTIONS:

### PRICING:

### PHOTO:

NO UPCH	VTRSG3	ROUND BASE IN BRUSHED STAINLESS
UPCH	VTRSZ	ROUND BASE IN MATTE BLACK
UPCH	VTRSBZ	ROUND BASE IN BRONZE



UPCH	VT4TPRVS	4 POINT BASE IN BRUSHED STAINLESS
UPCH	VT4TPZ	4 POINT BASE IN MATTE BLACK
UPCH	VT4TPBZ	4 POINT BASE IN BRONZE
UPCH	VT4TPR	4 POINT BASE IN RAL COLOR



UPCH	VT5TPRVS	5 POINT BASE IN BRUSHED STAINLESS
UPCH	VT5TPZ	5 POINT BASE IN MATTE BLACK
UPCH	VT5TPBZ	5 POINT BASE IN BRONZE
UPCH	VT5TPR	5 POINT BASE IN RAL COLOR



NO UPCH	VT4TRVS	4 POINT BASE IN BRUSHED STAINLESS
UPCH	VT4TZ	4 POINT BASE IN MATTE BLACK
UPCH	VT4TBZ	4 POINT BASE IN BRONZE
UPCH	VT4TR	4 POINT BASE IN RAL COLOR



# FLIP

## PRODUCT INFORMATION

### BASE OPTIONS:

### PRICING:

### PHOTO:

NO UPCH	VT5TRVS	5 POINT BASE IN STAINLESS STEEL
UPCH	VT5TZ	5 POINT BASE IN MATTE BLACK
UPCH	VT5TBZ	5 POINT BASE IN BRONZE
UPCH	VT5TR	5 POINT BASE IN RAL COLOR



---

NO UPCH	VT5TRCH	5 POINT BASE IN CHROME
UPCH	VT5TRZ	5 POINT BASE IN MATTE BLACK
UPCH	VT5TRBZ	5 POINT BASE IN BRONZE
UPCH	VT5TRR	5 POINT BASE IN RAL COLOR



---

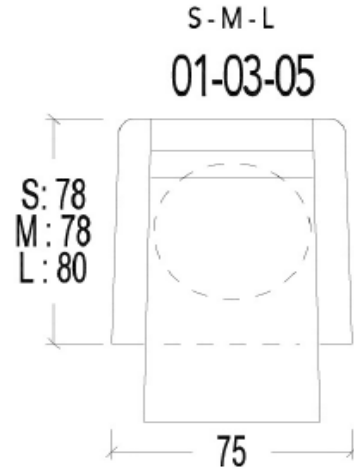
NO UPCH	VT5T2Z	5 POINT BASE IN BRUSHED STAINLESS
UPCH	VT5T2BZ	5 POINT BASE IN MATTE BLACK
UPCH	VT5T2RAL	5 POINT BASE IN RAL COLOR



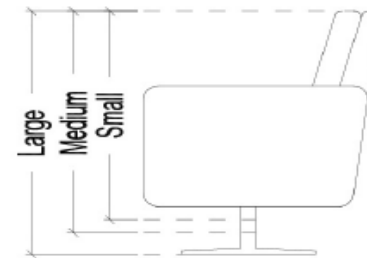
# FLIP

## PRODUCT INFORMATION

DIMENSIONS IN CM



	SMALL	MEDIUM	LARGE
Wide :	75	75	75
Height :	90	92	96
Dept :	78	78	80
Seat height :	46	48	52
Seat dept :	48	48	50
Armrest height :	63	65	69

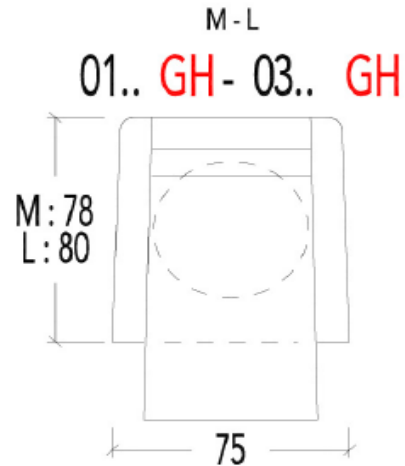


STANDARD with manual headrest

# FLIP

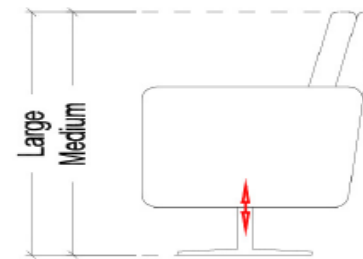
## PRODUCT INFORMATION

DIMENSIONS IN CM



**!! Manual adjustable seat height 7cm through gas spring !!**

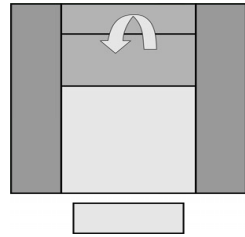
	MEDIUM	LARGE
Wide :	75	75
Height :	90-97	90-97
Dept :	78	80
Seat height :	46-53	46-53
Seat dept :	48	50
Armrest height :	63-70	63-70



STANDARD with manual headrest

Electric recliners ALWAYS have "Co-moving armrests"

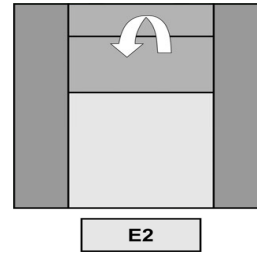
# FLIP



**W:**

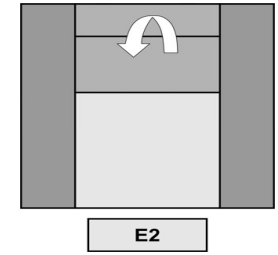
29 1/2

29 1/2



29 1/2

29 1/2



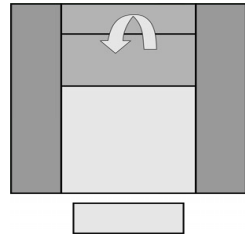
29 1/2

Article Code	01S / 01M / 01L	01MGH / 01LGH	03S / 03M / 03L	03MGH / 03LGH	05S / 05M / 05L
<b>Description</b>	01S = Small Swivel Manual Recliner incl Manual Headrest w/ Storage in Seat Back		03S = Small Swivel Motorized Recliner w/ Zero Gravity Recline & Manual Headrest w/ Storage in Seat Back		05S = Small Swivel Motorized Recliner incl Power Lift, Zero Gravity Recline & Manual Headrest w/ Storage in Seat Back
	01M = Medium Swivel Manual Recliner incl. Manual Headrest w/ Storage in Seat Back	01MGH = Medium Swivel Manual Recliner w/ Adjustable Seat Height (7cm) & Manual Headrest w/ Storage in Seat Back	03M = Medium Swivel Motorized Recliner w/ Zero Gravity Recline & Manual Headrest w/ Storage in Seat Back	03MGH = Medium Swivel Motorized Recliner w/ Adjustable Seat Height (7cm), Zero Gravity Recline & Manual Headrest w/ Storage in Seat Back	05M = Medium Swivel Motorized Recliner incl Power Lift, Zero Gravity Recline & Manual Headrest w/ Storage in Seat Back
	01L = Large Swivel Manual Recliner incl. Manual Headrest w/ Storage in Seat Back	01LGH = Large Swivel Manual Recliner w/ Adjustable Seat Height (7cm) & Manual Headrest w/ Storage in Seat Back	03L = Large Swivel Motorized Recliner w/ Zero Gravity Recline & Manual Headrest w/ Storage in Seat Back	03LGH = Large Swivel Motorized Recliner incl Gas Spring, Adjustable Seat Height (7cm), Zero Gravity Recline, Adjustable Seat Height (7cm) & Manual Headrest w/ Storage in Seat Back	05L = Large Swivel Motorized Recliner incl Power Lift, Zero Gravity Recline & Manual Headrest w/ Storage in Seat Back

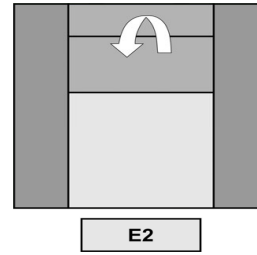
**NOT AVAILABLE IN LEATHERS:**

**W401XX, W429XX, W477XX, W510XX**

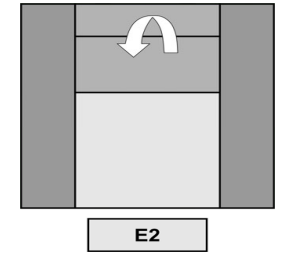
# FLIP



W: 29 1/2 29 1/2



29 1/2 29 1/2



29 1/2

<b>Article Code</b>	01S / 01M / 01L	01MGH / 01LGH	03S / 03M / 03L	03MGH / 03LGH	05S / 05M / 05L
---------------------	-----------------	---------------	-----------------	---------------	-----------------

COM Yardage	4.67	4.67	5.16	5.16	5.16
-------------	------	------	------	------	------

<b>Fabric</b>	
COM	
ST01	
ST02	
ST03	
ST05	
ST06	

COL Sqft	84.60	84.60	85.47	85.47	85.47
----------	-------	-------	-------	-------	-------

<b>Leather</b>	
COL	
W4	
W5	
W6	

MOTORIZED VERSIONS '03' & '05' COME STANDARD W/ BUILT-IN BATTERY

**NOT AVAILABLE IN LEATHERS:**

**W401XX, W429XX, W477XX, W510XX**