

MODEL DETAILS



hartmann

Von der Natur empfohlen.

furn plan

ScanPrix

PLANUM[®]

F U R N I T U R E

Planum, Inc
Swedesford Corporate Center
619 B Swedesford Road
Frazer, PA 19355

Tel : 610/251-2120
Tel : 800/343-0042
Fax : 610/251-2290

email info@planumfurniture.com
visit us planumfurniture.com

VARA

Living/ Dining room system
oak heartw.Umato brushed

Surface rough-sawn brushed

Combi no. 20 A

Application metal anthracite
Combination consisting of:

1 x 2151 1 x 1191A
1 x 2191A 1 x 4032
1 x 2071A

Combi no. 20 T

Application metal titan
Combination consisting of:

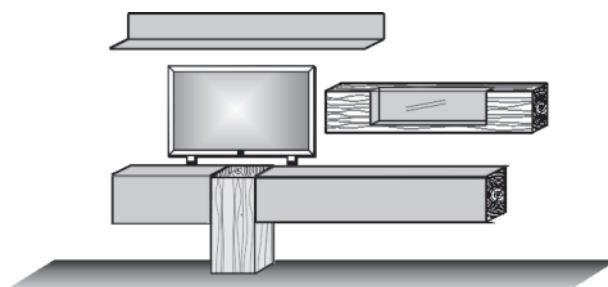
1 x 2151 1 x 1191T
1 x 2191T 1 x 4032
1 x 2071T

Size W/H/D in cm **332 / 185 / 44/20**

Metal anthracite

Metall titan

Extras	Art. no.	
concealed lighting	9613	_____
panel lighting	9712	_____
concealed lighting	9631	_____
concealed lighting	9632	_____
concealed lighting	9633	_____

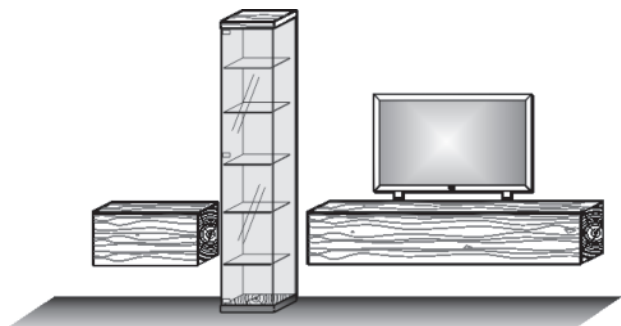


Combi no. 22

Combination consisting of:

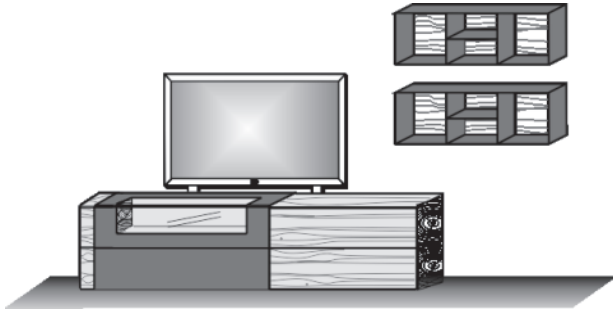
1 x 0038 1 x 2191
1 x 2071

Size W/H/D in cm **325 / 207 / 44/39**



Extras	Art. no.	
conc. lighting	9622	_____
concealed lighting	9632	_____
concealed lighting	9631	_____





Combi no. 24 A

Application metal anthracite
Combination consisting of:

1 x 3221A
2 x 1101A

Combi no. 24 T

Application metal titan
Combination consisting of:

1 x 3221T
2 x 1101T

Size W/H/D in cm

321 / 182 / 55/24

Metal anthracite

Metall titan

Extras

Art. no.

concealed lighting

9611

shelf lighting

2x 9812

Accu

2x 0147

Combi no. 26 A

Application metal anthracite
Combination consisting of:

1 x 1191A 1 x 4032A
1 x 2071 1 x 6071A
1 x 2191

Combi no. 26 T

Application metal titan
Combination consisting of:

1 x 1191T 1 x 4032T
1 x 2071 1 x 6071T
1 x 2191

Size W/H/D in cm

305 / 207 / 44/20

Metal anthracite

Metall titan

Extras

Art. no.

conc. lighting

9621

panel lighting

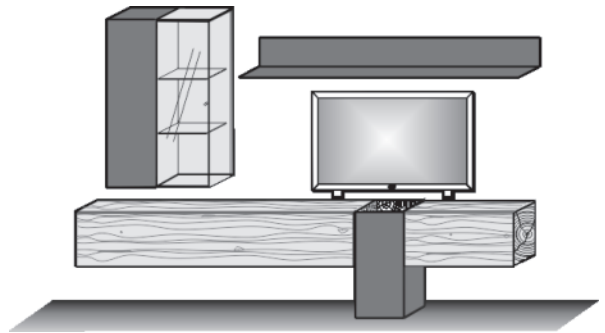
9712

concealed lighting

9631

concealed lighting

9632



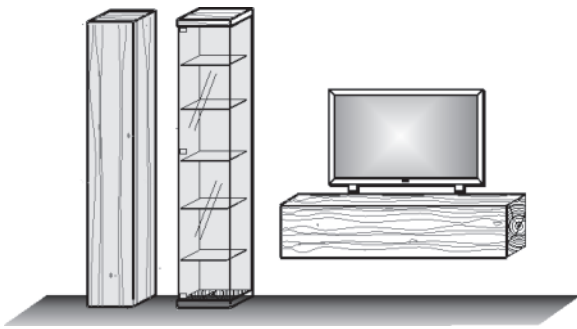
Combi no. 28

Combination consisting of:

1 x 0031 1 x 0038
1 x 2161

Size W/H/D in cm

266 / 207 / 44/39



Extras

Art. no.

conc. lighting

9622

concealed lighting

9633

Combi no. 30 A

Application metal anthracite
Combination consisting of:

1 x 1151A 1 x 3271A
1 x 6072A

Combi no. 30 T

Application metal titan
Combination consisting of:

1 x 1151T 1 x 3271T
1 x 6072T

Size W/H/D in cm

268 / 207 / 55/20

Metal anthracite

Metall titan

Extras

Art. no.

concealed lighting

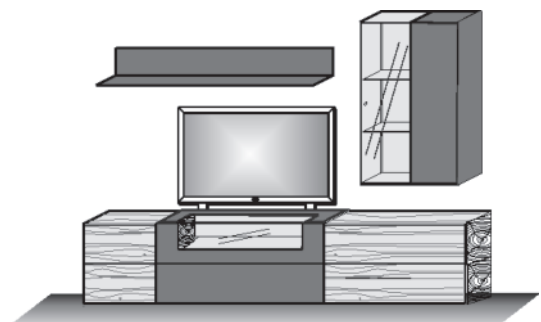
9611

conc. lighting

9621

panel lighting

9711



Combi no. 32 A

Application metal anthracite
Combination consisting of:

1 x 1151A 1 x 2151
1 x 3221A

Combi no. 32 T

Application metal titan
Combination consisting of:

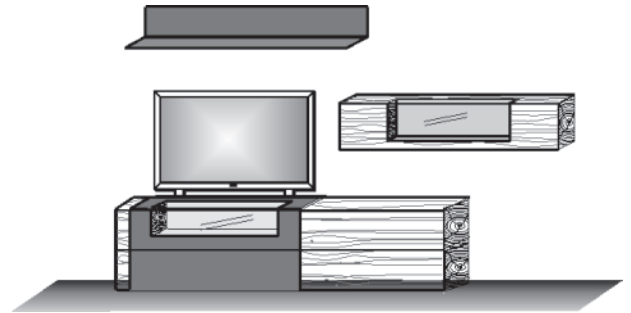
1 x 1151T 1 x 2151
1 x 3221T

Size W/H/D in cm **300 / 185 / 55/20**

Metal anthracite

Metall titan

Extras	Art. no.	
concealed lighting	9611	_____
concealed lighting	9613	_____
concealed lighting	9633	_____
panel lighting	9711	_____



Combi no. 34 A

Application metal anthracite
Combination consisting of:

1 x 1041A 1 x 2071A
1 x 6031 1 x 2161A
1 x 1191A 1 x 4031

Combi no. 34 T

Application metal titan
Combination consisting of:

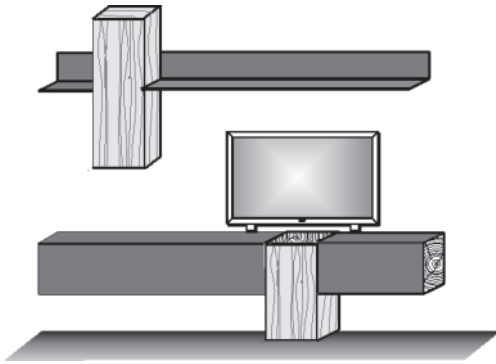
1 x 1041T 1 x 2071T
1 x 6031 1 x 2161T
1 x 1191T 1 x 4031

Size W/H/D in cm **266 / 207 / 44/20**

Metal anthracite

Metall titan

Extras	Art. no.	
concealed lighting	9633	_____
concealed lighting	9632	_____
panel lighting	9713	_____
panel lighting	9712	_____



Combi no. 36 A

Application metal anthracite
Combination consisting of:

1 x 3211A 1 x 1102A
2 x 1031A

Combi no. 36 T

Application metal titan
Combination consisting of:

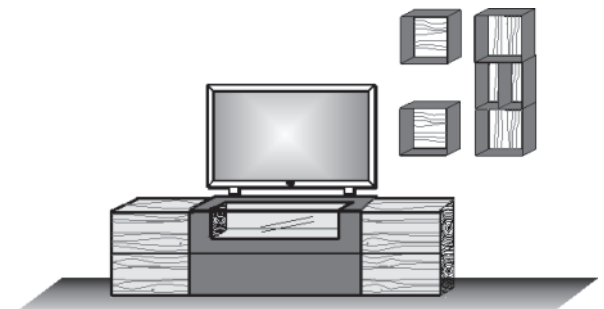
1 x 3211T 1 x 1102T
2 x 1031T

Size W/H/D in cm **288 / 189 / 55/24**

Metal anthracite

Metall titan

Extras	Art. no.	
concealed lighting	9611	_____
shelf lighting	2x 9811	_____
shelf lighting	9812	_____
Accu	3x 0147	_____



Combi no. 38 A

Application metal anthracite
Combination consisting of:

1 x 2151 1 x 2191
1 x 2071A

Combi no. 38 T

Application metal titan
Combination consisting of:

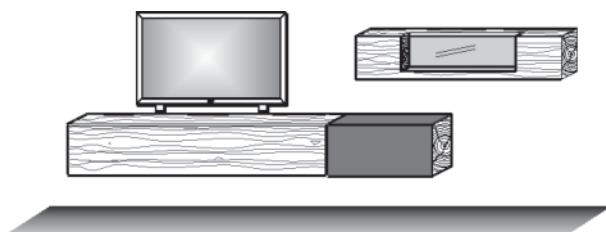
1 x 2151 1 x 2191
1 x 2071T

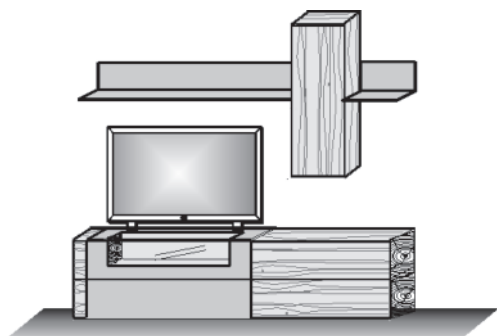
Size W/H/D in cm **346 / 135 / 39/34**

Metal anthracite

Metall titan

Extras	Art. no.	
concealed lighting	9631	_____
concealed lighting	9632	_____
concealed lighting	9613	_____
concealed lighting	9633	_____





Combi no. 40 A

Application metal anthracite
Combination consisting of:

1 x 1041A 1 x 6032
1 x 3221A 1 x 1151A

Combi no. 40 T

Application metal titan
Combination consisting of:

1 x 1041T 1 x 6032
1 x 3221T 1 x 1151T

Size W/H/D in cm

223 / 207 / 55/20

Metal anthracite

Metall titan

Extras

Art. no.

concealed lighting

9611

panel lighting

9711

panel lighting

9713

Combi no. 42 A

Application metal anthracite
Combination consisting of:

1 x 3221A
1 x 6052A

Combi no. 42 T

Application metal titan
Combination consisting of:

1 x 3221T
1 x 6052T

Size W/H/D in cm

261 / 160 / 55/22

Metal anthracite

Metall titan

Extras

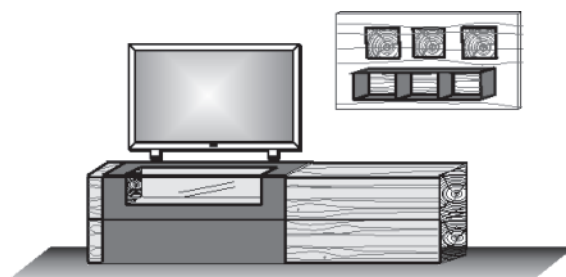
Art. no.




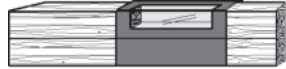
concealed lighting





9611





concealed lighting:

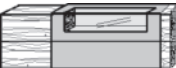



9721



Application Metall an- thracite	Lowboard ri./le. side end grain timber 1 flap metal anthracite with display 1 drawer metal anthracite 1 mirror shelf	Lowboard ri./le. side end grain timber 2 wooden doors 1 flap metal anthracite with display 1 drawer metal anthracite 1 mirror shelf 2 wooden shelves	Lowboard ri./le. side end grain timber 1 wooden door left 1 shelf 1 flap metal anthracite with display 1 drawer metal anthracite 1 mirror shelf 2 wooden drawers 1 mirror shelf	Lowboard ri./le. side end grain timber 2 wooden drawers 1 flap metal anthracite with display 1 drawer metal anthracite 1 wooden door right 1 shelf 1 mirror shelf
	extra: conc. lighting 1 x 9611	extra: conc. lighting 1 x 9611	extra: conc. lighting 1 x 9611	extra: conc. lighting 1 x 9611
A				
Size in cm	W 130 H 60 D 55	W 220 H 60 D 55	W 268 H 60 D 55	W 268 H 60 D 55
Art. no.	3131A	3211A	3271A	3272A

Application Metall an- thracite	Lowboard ri./le. side end grain timber 1 wooden door left 1 flap metal anthracite with display 1 drawer metal anthracite 1 mirror shelf 1 shelf	Lowboard ri./le. side end grain timber 1 flap metal anthracite with display 1 drawer metal anthracite 1 mirror shelf 1 wooden door right 1 shelf	Lowboard ri./le. side end grain timber 1 flap metal anthracite with display 1 drawer metal anthracite 2 wooden drawers 1 mirror shelf	Lowboard ri./le. side end grain timber 2 wooden drawers 1 flap metal anthracite with display 1 drawer metal anthracite 1 mirror shelf
	extra: conc. lighting 1 x 9611	extra: conc. lighting 1 x 9611	extra: conc. lighting 1 x 9611	extra: conc. lighting 1 x 9611
A				
Size in cm	W 175 H 60 D 55	W 175 H 60 D 55	W 223 H 60 D 55	W 223 H 60 D 55
Art. no.	3171A	3172A	3221A	3222A

Application Metall titan	Lowboard ri./le. side end grain timber 1 flap metal titan with display 1 drawer metal titan 1 mirror shelf	Lowboard ri./le. side end grain timber 2 wooden doors 1 flap metal titan with display 1 drawer metal titan 1 mirror shelf 2 wooden shelves	Lowboard ri./le. side end grain timber 1 wooden door left 1 shelf 1 flap metal titan with display 1 drawer metal titan 2 wooden drawers 1 mirror shelf	Lowboard ri./le. side end grain timber 2 wooden drawers 1 flap metal titan with display 1 drawer metal titan 1 wooden door right 1 shelf 1 mirror shelf
	extra: conc. lighting 1 x 9611	extra: conc. lighting 1 x 9611	extra: conc. lighting 1 x 9611	extra: conc. lighting 1 x 9611
T				
Size in cm	W 130 H 60 D 55	W 220 H 60 D 55	W 268 H 60 D 55	W 268 H 60 D 55
Art. no.	3131T	3211T	3271T	3272T

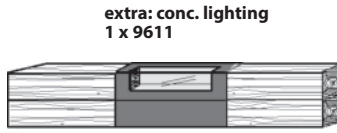
Application Metall titan	Lowboard ri./le. side end grain timber 1 wooden door left 1 flap metal titan with display 1 drawer metal titan 1 mirror shelf 1 shelf	Lowboard ri./le. side end grain timber 1 flap metal titan with display 1 drawer metal titan 1 mirror shelf 1 wooden door right 1 shelf	Lowboard ri./le. side end grain timber 1 flap metal titan with display 1 drawer metal titan 2 wooden drawers 1 mirror shelf	Lowboard ri./le. side end grain timber 2 wooden drawers 1 flap metal titan with display 1 drawer metal titan 1 mirror shelf
	extra: conc. lighting 1 x 9611	extra: conc. lighting 1 x 9611	extra: conc. lighting 1 x 9611	extra: conc. lighting 1 x 9611
T				
Size in cm	W 175 H 60 D 55	W 175 H 60 D 55	W 223 H 60 D 55	W 223 H 60 D 55
Art. no.	3171T	3172T	3221T	3222T

Lowboard
ri./le. side end grain timber
4 drawers, front tannin oak
1 flap metal anthracite
with display
1 drawer metal anthracite
1 mirror shelf

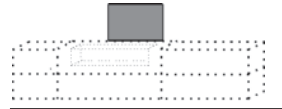
Wooden cover
lacked anthracite
for covering cables
can be shortened

Application
Metall an-
thracite

A



extra: conc. lighting
1 x 9611



Size in cm W 316 H 60 D 55
Art. no. 3311A

W 38 H 50 D 5
3031A

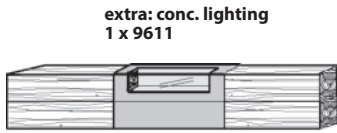
Lowboard
ri./le. side end grain timber
4 drawers, front tannin oak
1 flap metal titan
with display
1 drawer metal titan
1 mirror shelf

Wooden cover
lacked titan
for covering cables
can be shortened

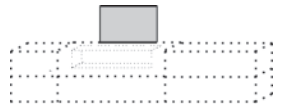
Wooden cover
oak heartw.Umato
for covering cables
can be shortened

Application
Metall titan

T

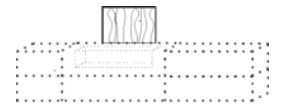


extra: conc. lighting
1 x 9611



Size in cm W 316 H 60 D 55
Art. no. 3311T

W 38 H 50 D 5
3031T



W 38 H 50 D 5
3031



Wall hung lowboard
wooden carcass
ri./le. side end grain timber
1 wooden flap
1 shelf

extra: conc. lighting
1 x 9631



Size in cm W 192 H 38 D 39
Art. no. 2191

Wall hung lowboard
wooden carcass
ri./le. side end grain timber
1 wooden flap
1 shelf

extra: conc. lighting
1 x 9633



Size in cm W 154 H 38 D 39
Art. no. 2161

Wall hung lowboard
wooden carcass
ri./le. side end grain timber
1 wooden flap

extra: conc. lighting
1 x 9632



Size in cm W 74 H 38 D 39
Art. no. 2071

Cabinet le./ ri.
top plate end grain timber
wooden carcass
1 wooden door
1 shelf



Size in cm W 38 H 73 D 44
Art. no. 4031 le. 4032 ri.

Application
Metall an-
thracite

A

Wall hung lowboard
Carcass metall anthracite
ri./le. side end grain timber
1 flap metal anthracite
1 shelf

extra: conc. lighting
1 x 9631



Size in cm W 192 H 38 D 39
Art. no. 2191A

Wall hung lowboard
Carcass metall anthracite
ri./le. side end grain timber
1 flap metal anthracite
1 shelf

extra: conc. lighting
1 x 9633



Size in cm W 154 H 38 D 39
Art. no. 2161A

Wall hung lowboard
Carcass metall anthracite
ri./le. side end grain timber
1 flap metal anthracite

extra: conc. lighting
1 x 9632



Size in cm W 74 H 38 D 39
Art. no. 2071A

Cabinet le./ ri.
top plate end grain timber
Carcass metall anthracite
1 door metal anthracite
1 shelf



Size in cm W 38 H 73 D 44
Art. no. 4031A le. 4032A ri.

Application
Metall titan

T

Wall hung lowboard
Carcass metall titan
ri./le. side end grain timber
1 flap metal titan
1 shelf

extra: conc. lighting
1 x 9631



Size in cm W 192 H 38 D 39
Art. no. 2191T

Wall hung lowboard
Carcass metall titan
ri./le. side end grain timber
1 flap metal titan
1 shelf

extra: conc. lighting
1 x 9633



Size in cm W 154 H 38 D 39
Art. no. 2161T

Wall hung lowboard
Carcass metall titan
ri./le. side end grain timber
1 flap metal titan

extra: conc. lighting
1 x 9632



Size in cm W 74 H 38 D 39
Art. no. 2071T

Cabinet le./ ri.
top plate end grain timber
Carcass metall titan
1 door metal titan
1 shelf



Size in cm W 38 H 73 D 44
Art. no. 4031T 4032T

Wall unit
wooden carcass
ri./le. side end grain timber
1 wooden flap with glass
1 mirror shelf

extra: conc. lighting
1 x 9613

extra: conc. lighting
1 x 9633



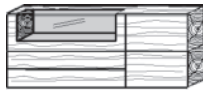
Size in cm W 154 H 33 D 34
Art. no. 2151



Sideboard

ri./le. side end grain timber
1 wooden flap with glass
1 wooden drawer
1 wooden door
1 mirror shelf
1 wooden shelf

extra: conc. lighting
1 x 9612



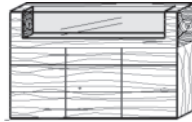
Size in cm W 183 H 75 D 44

Art. no. 4181

Highboard

back panel reef beech
1 wooden flap with glass
3 wooden doors
1 wooden drawer
1 mirror shelf
3 fixed wooden shelves

extra: conc. lighting
1 x 9614



Size in cm W 173 H 113 D 44

Art. no. 6171



**Application
Metall an-
thracite**

A

Sideboard

ri./le. side end grain timber
1 flap metal anthracite
with display
1 drawer metal anthracite
1 door metal anthracite
1 mirror shelf
1 wooden shelf

extra: conc. lighting
1 x 9612



Size in cm W 183 H 75 D 44

Art. no. 4181A

Highboard

back panel reef beech
2 glass doors
1 drawer metal anthracite
2 doors metal anthracite
4 glass shelves
2 wooden shelves

extra: lighting
1 x 9622



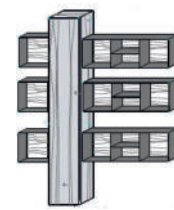
Size in cm W 152 H 113 D 44

Art. no. 6151A

Rack combination

consisting of:
3 x 1031A 1 x 0031
3 x 1101A

also possible mirror image



extra: shelf
lighting
3 x 9811

extra: shelf
lighting
3 x 9812

Size in cm W 174 H 207 D 44

Art. no. V98A

**Application
Metall titan**

T

Sideboard

ri./le. side end grain timber
1 flap metal titan
with display
1 drawer metal titan
1 door metal titan
1 mirror shelf
1 wooden shelf

extra: conc. lighting
1 x 9612



Size in cm W 183 H 75 D 44

Art. no. 4181T

Highboard

back panel reef beech
2 glass doors
1 drawer metal titan
2 doors metal titan
4 glass shelves
2 wooden shelves

extra: lighting
1 x 9622



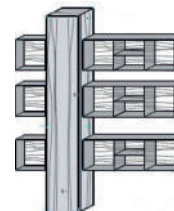
Size in cm W 152 H 113 D 44

Art. no. 6151T

Rack combination

consisting of:
3 x 1031T 1 x 0031
3 x 1101T

also possible mirror image



extra: shelf
lighting
3 x 9811

extra: shelf
lighting
3 x 9812

Size in cm W 174 H 207 D 44

Art. no. V98T

Care advices:



Pair of supports

Metal anthracite
For items:
4181
4181A
4181T



Size in cm W 12 H 13 D 41

Art. no. 1045



Cabinet le./ ri.
wooden carcass
1 wooden door
2 fixed wooden shelves
2 wooden shelves



Cabinet le./ ri.
Carcass glass parsolbronz
back panel reef beech
1 glass door
5 glass shelves



extra:
lighting
1 x 9622



Wall unit le./ ri.
wooden carcass
1 wooden door
2 wooden shelves



Size in cm W 33 H 207 D 44

Size in cm W 39 H 207 D 44

Size in cm W 38 H 106 D 35

Art. no. 0031 le.

0032 ri.

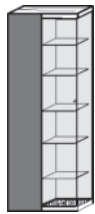
0038 le.

0039 ri.

6031 le.

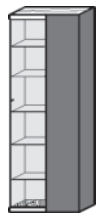
6032 ri.

Display cabinet le.
back panel reef beech
1 wooden/glass door metal anthr.
2 fixed wooden shelves
2 wooden shelves
5 glass shelves



extra:
lighting
1 x 9622

Display cabinet ri.
back panel reef beech
1 wooden/glass door metal anthr.
2 fixed wooden shelves
2 wooden shelves
5 glass shelves

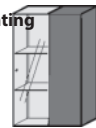


extra:
lighting
1 x 9622

Wall unit le./ ri.
back panel reef beech
1 wooden/glass door metal anthr.
2 wooden shelves
2 glass shelves



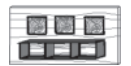
extra: lighting
1 x 9621



Wall panel
back panel wood
application end grain timber
1 rack metal anthracite



extra: lighting
1 x 9721



Application
Metall an-
thracite

A

Size in cm W 72 H 207 D 39

Size in cm W 72 H 207 D 39

Size in cm W 72 H 106 D 35

Size in cm W /H58 H /B 106 D 22

Art. no. 0071A le.

0072A ri.

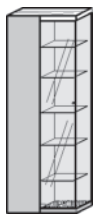
6071A le.

6072A ri.

6051A

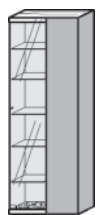
6052A

Display cabinet le.
back panel reef beech
1 wooden/glass door metal titan
2 fixed wooden shelves
2 wooden shelves
5 glass shelves



extra:
lighting
1 x 9622

Display cabinet ri.
back panel reef beech
1 wooden/glass door metal titan
2 fixed wooden shelves
2 wooden shelves
5 glass shelves

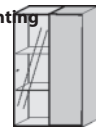


extra:
lighting
1 x 9622

Wall unit le./ ri.
back panel reef beech
1 wooden/glass door metal titan
2 wooden shelves
2 glass shelves



extra: lighting
1 x 9621



Wall panel
back panel wood
application end grain timber
1 rack metal titan



extra: lighting
1 x 9721



Application
Metall titan

T

Size in cm W 72 H 207 D 39

Size in cm W 72 H 207 D 39

Size in cm W 72 H 106 D 35

Size in cm W /H58 H /B 106 D 22

Art. no. 0071T le.

0072T ri.

6071T le.

6072T ri.

6051T

6052T



Timeless design is in our nature.

Wall panel
back panel reef beech
1 wooden shelf

extra: panel lighting
1 x 9731



Size in cm W 154 H 21 D 24

Art. no. 1151

Wall panel
back panel reef beech
1 wooden shelf

extra: panel lighting
1 x 9732



Size in cm W 184 H 21 D 24

Art. no. 1181



Wall panel
Metal anthracite

extra: panel lighting
1 x 9711



Size in cm W 154 H 19 D 20

Art. no. 1151A

Wall panel
Metal anthracite

extra: panel lighting
1 x 9712



Size in cm W 192 H 19 D 20

Art. no. 1191A

Wall hanging rack
Metal anthracite
back panel reef beech

extra: shelf lighting
1 x 9811



extra: accu
1 x 0147
runtime
ca. 40 h

Size in cm W 35 H 35 D 24

Art. no. 1031A

Wall hanging rack
Metal anthracite
back panel reef beech

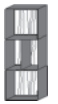
extra: shelf lighting
1 x 9812



extra: accu
1 x 0147
runtime
ca. 12 h

Size in cm W /H 106 H /B 35 D 24

Art. no. 1101A



Art. no. 1102A

Application
Metall an-
thracite

A

Wall panel
Metall titan

extra: panel lighting
1 x 9711



Size in cm W 154 H 19 D 20

Art. no. 1151T

Wall panel
Metall titan

extra: panel lighting
1 x 9712



Size in cm W 192 H 19 D 20

Art. no. 1191T

Wall hanging rack
Metall titan
back panel reef beech

extra: shelf lighting
1 x 9811



extra: accu
1 x 0147
runtime
ca. 40 h

Size in cm W 35 H 35 D 24

Art. no. 1031T

Wall hanging rack
Metall titan
back panel reef beech

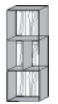
extra: shelf lighting
1 x 9812



extra: accu
1 x 0147
runtime
ca. 12 h

Size in cm W /H 106 H /B 35 D 24

Art. no. 1101T



Art. no. 1102T

Application
Metall titan

T

Application
Metall an-
thracite

A

Application
Metall titan

T

Wall panel
Metal anthracite

extra: panel lighting
1 x 9713

Size in cm W 35 H 19 D 20

Art. no. 1041A

Wall panel
Metall titan

extra: panel lighting
1 x 9713

Size in cm W 35 H 19 D 20

Art. no. 1041T



As an expression of confidence in the quality of our products, we grant a five-year manufacturer's guarantee on all HARTMANN furniture.

concealed lighting
4,4 Watt

Für Typen:

3131A/3131T	3211A/3211T
3271A/3271T	3272A/3272T
3172A/3172T	3171A/3171T
3221A/3221T	3222A/3222T
3311A/3311T	

This luminaire contains built in LED-lamps that cannot be changed. Energy efficiency category A+
Halemeier 100098022, 3465311



Size in cm

W 93

Art. no.

9611

concealed lighting
4,4 Watt

For items:

4181
4181A
4181T

This luminaire contains built in LED-lamps that cannot be changed. Energy efficiency category A+
Halemeier 100098023, 3465312



W 96

9612

concealed lighting
4,56 Watt

For item:

2151

This luminaire contains built in LED-lamps that cannot be changed. Energy efficiency category A+
Halemeier 100098024, 3465313



W 101

9613

concealed lighting
6,72 Watt

For item:

6171

This luminaire contains built in LED-lamps that cannot be changed. Energy efficiency category A+
Halemeier 100098025, 3465314



W 143

9614

conc. lighting
4,8 Watt

For items:

6071A	6071T
6072A	6072T

This luminaire contains built in LED-lamps that cannot be changed. Energy efficiency category A++
Halemeier 100098026, 3465315



Size in cm

W 29

Art. no.

9621

conc. lighting
1,2Watt

For items:

0071A/0071T	6151A/6151T
0072A/0072T	0038/0039

This luminaire contains built in LED-lamps that cannot be changed. Energy efficiency category A++
Halemeier 100098026, 3465315



W 29

9622

concealed lighting
8,88 Watt

For items:

2191
2191A
2191T

This luminaire contains built in LED-lamps that cannot be changed. Energy efficiency category A+
Halemeier 100098507, 3465411



W 187

9631

concealed lighting
3,12 Watt

For items:

2071
2071A
2071T

This luminaire contains built in LED-lamps that cannot be changed. Energy efficiency category A++
Halemeier 100098509, 3465413



W 70

9632

concealed lighting
6,96 Watt

For items:

2151	2161
2161A	2161T

This luminaire contains built in LED-lamps that cannot be changed. Energy efficiency category A+
Halemeier 100098508, 3465412



Size in cm

W 150

Art. no.

9633

panel lighting
6,24 Watt

For items:

1151A
1151T

This luminaire contains built in LED-lamps that cannot be changed. Energy efficiency category A+
Halemeier 100094050, 3437612



W 131

9711

panel lighting
8,16 Watt

For items:

1191A
1191T

This luminaire contains built in LED-lamps that cannot be changed. Energy efficiency category A+
Halemeier 100094049, 3437611



W 171

9712

panel lighting
1,44 Watt

For items:

1041A
1041T

This luminaire contains built in LED-lamps that cannot be changed. Energy efficiency category A++
Halemeier 100094051, 3437613

W 30

Art. no.

9713

concealed lighting:
9,6 Watt

For items:

6051A	6051T
6052A	6052T

This luminaire contains built in LED-lamps that cannot be changed. Energy efficiency category A++
halemeier 100095121, 4095311



H 115

9721

panel lighting
6,96 Watt

For items:

1151

This luminaire contains built in LED-lamps that cannot be changed. Energy efficiency category A+
Halemeier 100098508, 3465412



W 150

9731

panel lighting
8,4 Watt

For items:

1181

This luminaire contains built in LED-lamps that cannot be changed. Energy efficiency category A+
Halemeier 100098510, 3465414



W 179

9732

shelf lighting

2,88 Watt

For items:

- 1031A
- 1031T

This luminaire contains built in LED-lamps that cannot be changed. Energy efficiency category A++
Halemeier 100095122, 4095312



Size in cm

W 34

Art. no.

9811

shelf lighting

9,6 Watt

For items:

- 1101A 1101T
- 1102A 1102T

This luminaire contains built in LED-lamps that cannot be changed. Energy efficiency category A++
halemeier 100095123, 4095313



W 105

Art. no.

9812

Accu

consisting of:

12V-Lithium-accu and charger

For items:

- 1031A 1031T
- 1101A 1101T
- 1102A 1102T

runtime depends on model



Art. no.

0147

Multiple socket

manual or pedal radio control
2 sockets with steady current/
4 sockets to be switched

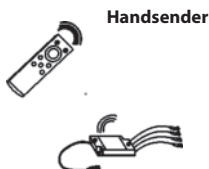


Art. no.

0130

4-channel remote control with 1 receiver

- 1 transformer possible (max 30 W)
- for controlling up to 4 channels (secondary)
- Different dimming of the individual channels possible.



Handsender

Size in cm

Art. no.

0118

Additional receiver for remote control 0118

- necessary for:
- Exceeding the transformer load (max 30 W)
 - spatial separation of the elements to be chopped, if they should or can not be connected with a cable.

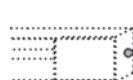


Art. no.

0116

Touch switch

The touch switch is used to switch the lighting on / off, but has no dimming function. (If dimming function required, see type no. 0118).
To every order with lighting a touch switch is added without charge. All items have to be connected by cable.
If you require individual switching, additional touch switches must be ordered for a charge.



optional positioning

Size in cm

Ø 2

Art. no.

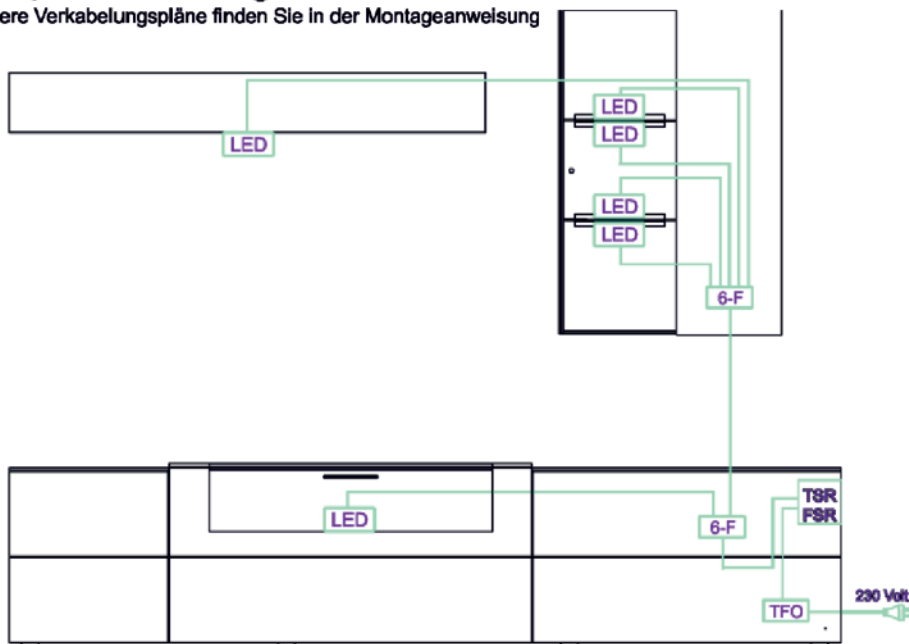
0140



Standard-Verkabelungsschema

Beispiel Vorschlagskombination V30

Weitere Verkabelungspläne finden Sie in der Montageanweisung



LED-Stripe / Spot	TFO Trafo mit Zuleitung	TBR Touchschalter
6-Fach Stecker	VL2 Verlängerungskabel	FSR Funkschalter (optional)

Sonderfall
A: Stromzuleitung unter Putz; Trafo muss baueits an 230V angeschlossen werden
B: Stromleitung unter Putz per Wandschalter baueitsig geschaltet; Trafo muss baueits an 230V angeschlossen werden. Touch- oder Funkschalter können entfallen

Assembly manual:



Dining tables

oak heartw.Umato brushed
rough sawn brushed

Model no. **7210W- VARA**

Item list 2021



Dining table with fixed top
table top 38 mm with curved edge
frame metal anthracite with oak heartwood Umato



kind of wood	article no.	Size W/H/D in cm	type of frame	kind of edge	persons
oak heartw.Umato	7210W-1525	L 190 W 95 H 76	X-foot	natural edge	8
oak heartw.Umato	7210W-1523	L 240 W 110 H 76	X-foot	natural edge	10



Extras

Beam lamp
without bulbs,
extern dimming function possible
(depending on bulb)



Size in cm W 150 H 14 D 14

Art. no. 9901

Set of hanging lamps
without bulbs,
with fabric covered cable



Ø8/11/12 H 30/35/43/57/65

Art. no. 9910



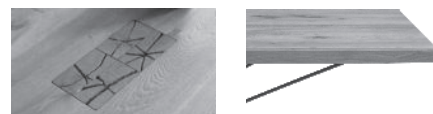


Dining table with middle extension
 frame metal anthracite with wooden crossbeam
 Floor plate metal anthracite
 one extension inside as standard
 second extension (optional with extra charge) can be put inside

kind of wood	article no.	Size W/H/D in cm	type of frame	kind of edge	persons
oak heartw.Umato	7210W-0520	L 160 W 95 H 76	V-pilar	straight edge	8
oak heartw.Umato	7210W-0521	L 190 W 95 H 76	V-pilar	straight edge	10
oak heartw.Umato	7210W-0523	L 50	Extension		+2



Dining table with fixed top
 application end grain timber
 frame metal anthracite with oak heartwood Umato



kind of wood	article no.	Size W/H/D in cm	type of frame	kind of edge	persons
oak heartw.Umato	7210W-0538	L 190 W 95 H 76	pyramid	straight edge	8
oak heartw.Umato	7210W-0539	L 240 W 95 H 76	pyramid	straight edge	10

Do you need more information, pictures, videos?
Visit our homepage: www.moebel-hartmann.com



Current leather/fabric collection:

leather:	12 brown
	13 grey
	16 black
	21 dark green
	22 Cognac
	23 atlantic blue
	24 blackberry

fabrics:	51 grey antique	60 Light brown
	52 Anthracite antique	61 Dark brown
	53 Green antique	62 Magenta
	55 Marine	63 Petrol
	56 Fuchsia	66 Gold
	57 Sage green	92 Brown
	58 Grey	97 Anthracite



chair Anni with wooden frame
with upholstered seat and back
with elastic active padding (healthy seating)



Measures
for fabric/ leather

Fabric
140 x 125 cm

Leather
2,25 m²

Size W/H/D in cm	article no.	kind of wood	type of frame	type of finish
W 52 H 79 D 62 SH 49	7210W-0632	oak heartw.Umato	wood, healthy sitting	Fabric
				Leather



Carver Anni, wooden chair frame
with upholstered seat and back
with elastic active padding (healthy seating)



Measures
for fabric/ leather

Fabric
140 x 145 cm

Leather
2,60 m²

Size W/H/D in cm	article no.	kind of wood	type of frame	type of finish
W 61 H 79 D 62 SH 49	7210W-0633	oak heartw.Umato	wood, healthy sitting	Fabric
				Leather



Carver Nuri, wooden chair frame
with upholstered seat and back
with elastic active padding (healthy seating)



Measures
for fabric/ leather

seat 65 x 65 cm
back 2 x 60 x 50 cm
armrests: 2 x 60 x 70 cm
add. 2 x 40 x 60 cm

kind of wood	article no.	Size W/H/D in cm	type of frame	type of finish
oak heartw.Umato	7210W-0637	W 58 H 87,5 D 56,5 SH 45	wood, healthy sitting	Fabric
				Leather



Carver Nila, wooden chair frame
with upholstered seat and back
with elastic active padding (healthy seating)



Measures
for fabric/ leather

seat 65 x 65 cm
back 2 x 60 x 50 cm

kind of wood	article no.	Size W/H/D in cm	type of frame	type of finish
oak heartw.Umato	7210W-0696	W 56 H 87 D 58,8 SH 45	wood, healthy sitting	Fabric
				Leather

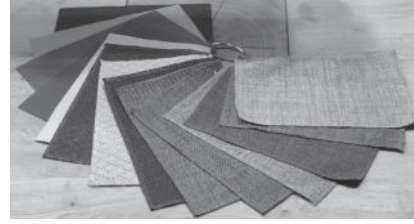
healthy seating



Current leather/fabric collection:

leather: 12 brown
13 grey
16 black
21 dark green
22 Cognac
23 atlantic blue
24 blackberry

fabrics: 51 grey antique
52 Anthracite antique
53 Green antique
55 Marine
56 Fuchsia
57 Sage green
58 Grey
60 Light brown
61 Dark brown
62 Magenta
63 Petrol
66 Gold
92 Brown
97 Anthracite



Bench Caro
wooden legs
with upholstered seat and back

Measures
for fabric/ leather

seat: 2 x 95 x 50 cm
2 x 45 x 15 cm
4 x 95 x 15 cm
back 4 x 45 x 95 cm
2 x 50 x 15 cm
2 x 95 x 15 cm

kind of wood	article no.	Size W/H/D in cm	type of frame	type of finish
oak heartw.Umato	7210W-0832	W 180 H 83 D 60 SH 50	wood, without function	Fabric Leather



THE ADVANTAGES:

- The seat can move in any direction.
- Improves your health.
- Strengthens your back muscles.
- The movements relieve the strain on spinal disks and encourage blood flow.
- Your back is taken care of.

Coffee tables

oak heartw.Umato brushed
rough sawn brushed

Model no. **7210W- VARA**

Item list 2021



Coffee table
Glass plate parsolbronze
End grain timber block with drawer
Floor plate wood anthracite



rolls
For items:
1402/1403/1405
article no. 1400

kind of wood	article no.	Size W/H/D in cm
oak heartw.Umato	7210W-1402	L 120 W 70 H 45

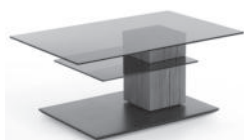


Coffee table
wooden top plate, adjustable in height
End grain timber block with flap
Floor plate wood anthracite



rolls
For items:
1402/1403/1405
article no. 1400

kind of wood	article no.	Size W/H/D in cm
oak heartw.Umato	7210W-1403	L 105 W 75 H 47-62

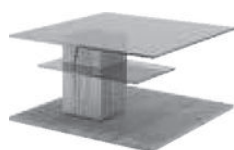


Coffee table
rotating glass top (ESG) parsolbronze
pillar reef wood
Floor plate wood anthracite

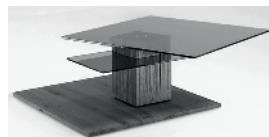


rolls
For items:
1402/1403/1405
article no. 1400

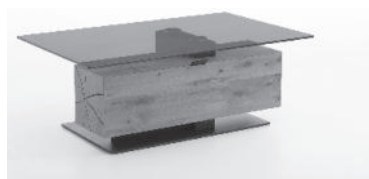
kind of wood	article no.	Size W/H/D in cm
oak heartw.Umato	7210W-1405	L 110 W 70 H 45



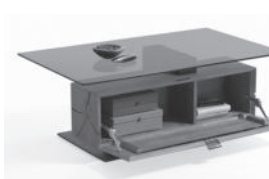
Coffee table
rotating glass top (ESG) parsolbronze
glass plate parsolbronze



kind of wood	article no.	Size W/H/D in cm
oak heartw.Umato	7210W-0456	L 95 W 95 H 45



Coffee table
Glass plate parsolbronze
End grain timber block with flap
Floor plate wood anthracite



kind of wood	article no.	Size W/H/D in cm
oak heartw.Umato	7210W-0481	L 125 W 75 H 46



Make a nature reserve out of your living room.

AUSGEZEICHNET



NACHHALTIG

SUSTAINABLE ENERGY

Heating with wood residues from production saves 300,000 liters of heating oil each year, thus avoiding around 950 tons of CO₂. 3,800 PV modules on the roofs of the production halls generate 1,080,000 kWh of electricity per year. This avoids over 700 tons of CO₂ emissions every year.

SUSTAINABLE RAW MATERIALS

The wood for our furniture comes 100% from sustainably managed forestry. A new one is planted for every tree used for production. That corresponds to around 7,000 trees a year.

SUSTAINABLE WATER MANAGEMENT

The construction of a circular system is planned for sustainable groundwater extraction: rainwater will be collected over a large area and fed back into the groundwater via a trickle.

SUSTAINABLE CORPORATE STRUCTURES

As a family-runYour company, we have been producing in Beelen for 110 years and will soon be in the fourth generation. Our employees have been with theYour company for an average of 26 years.