

# JEAN MARIE

## INFORMATION SHEET



# JEAN MARIE

## PRODUCT INFORMATION

FEET: 1 3/4" RECESSED FEET

SIDE UPHOLSTERY : UPCHARGE FOR UPHOSTERED PLATE ON FIXED OR MOTION ELEMENTS

FABRIC SIDE PANEL:

LEATHER SIDE PANEL:

### FINISH NOTES

#### NOT AVAILABLE IN LEATHERS:

W401XX

W429XX

W477XX

W509XX

W510XX

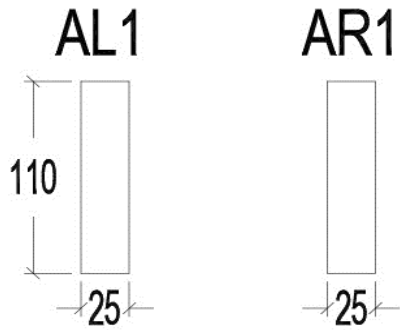
W618XX

# JEAN MARIE

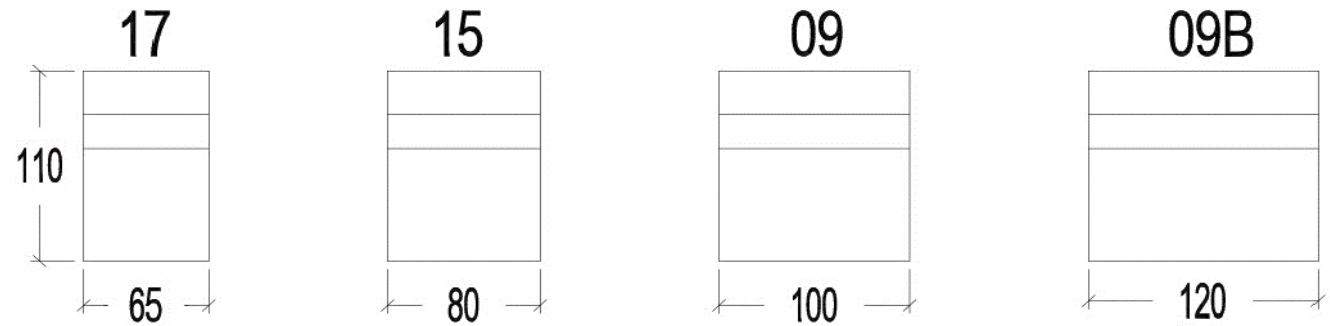
## PRODUCT INFORMATION

DIMENSIONS IN CM

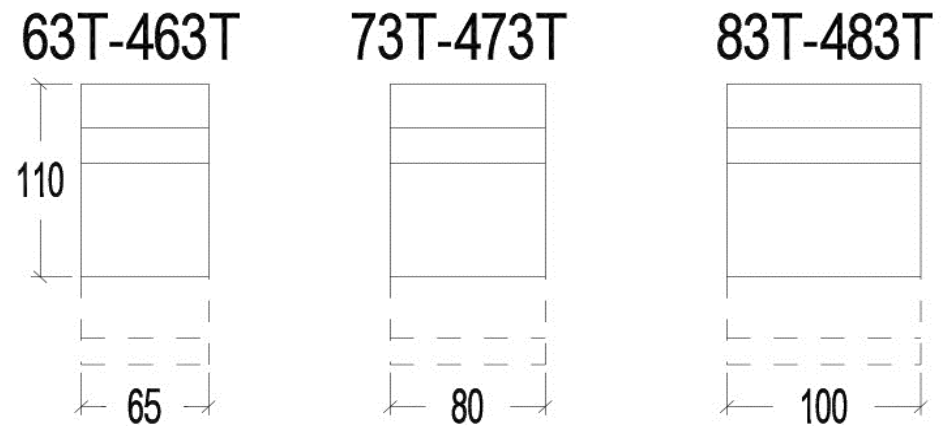
### ARMS



### FIXED SEATS



### MOTORIZED SEATS

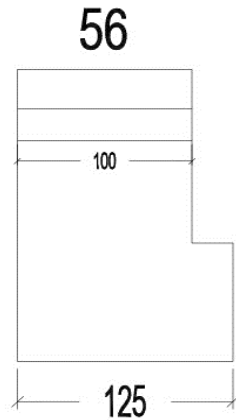
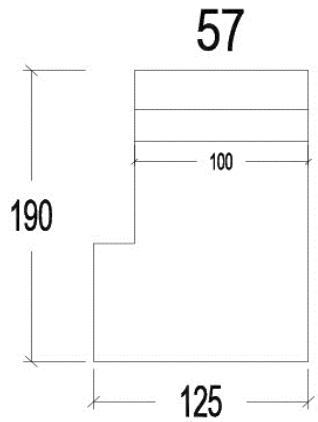


# JEAN MARIE

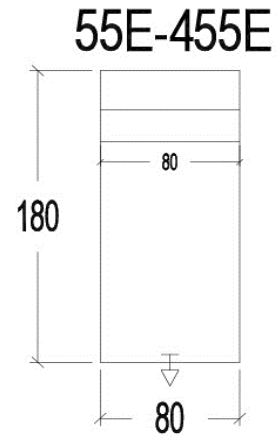
## PRODUCT INFORMATION

DIMENSIONS IN CM

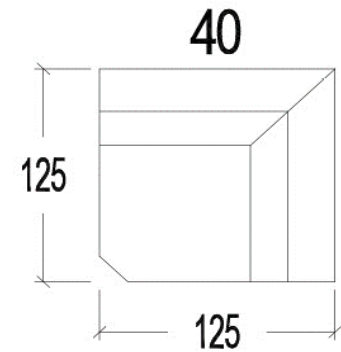
CHAISE



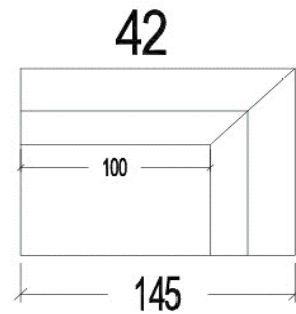
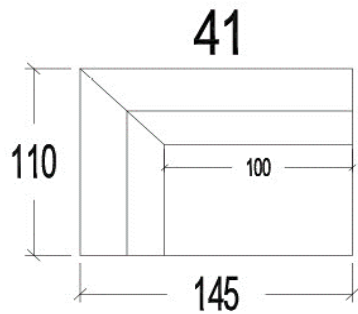
CHAISE



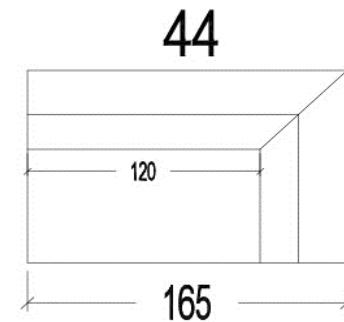
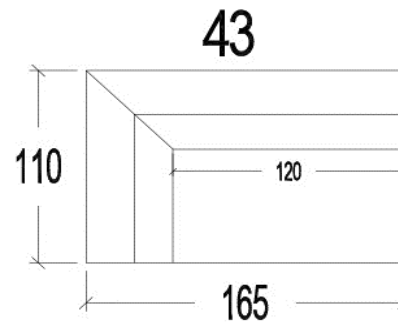
CORNER



EXTENDER CORNER



EXTENDER CORNER



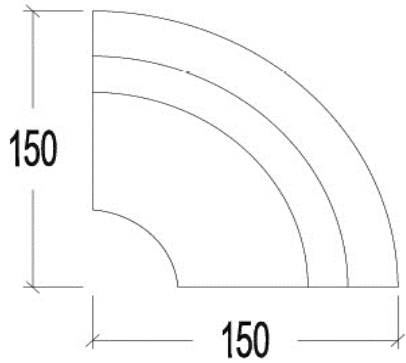
# JEAN MARIE

## PRODUCT INFORMATION

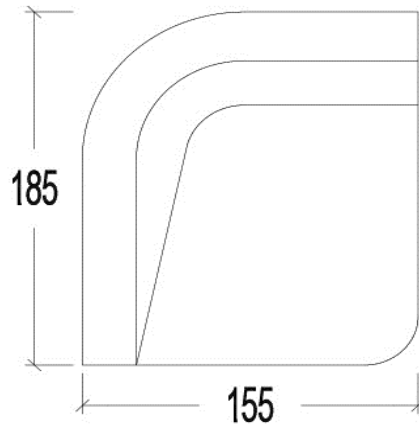
DIMENSIONS IN CM

### CURVED CORNER

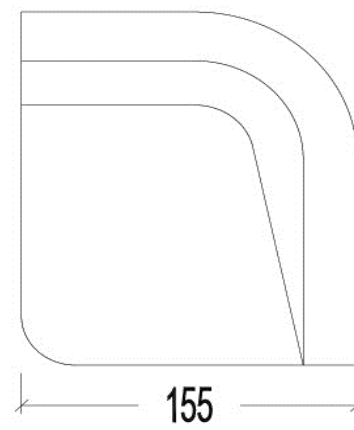
40C



41C

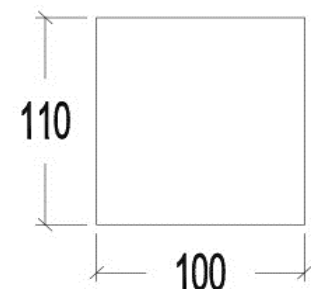


42C



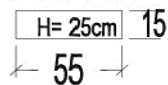
### OTTOMAN

90

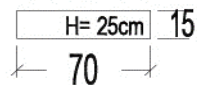


### LUMBAR PILLOWS

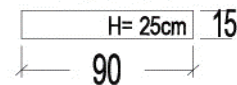
BCL 1



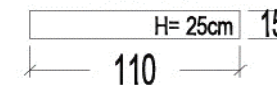
BCL 2



BCL 3



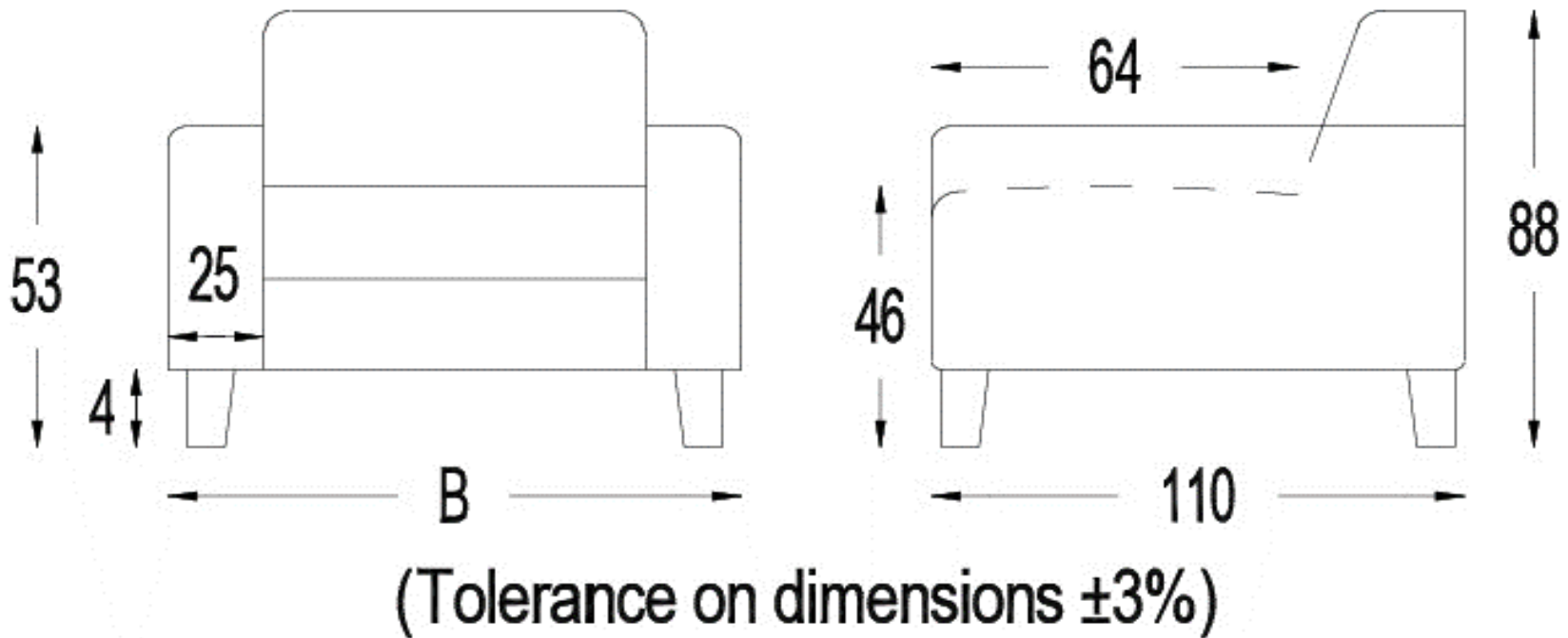
BCL 4



# JEAN MARIE

## PRODUCT INFORMATION

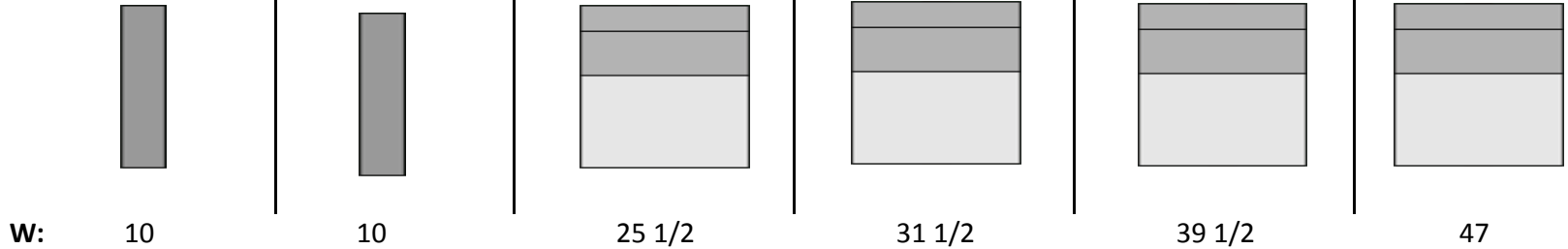
DIMENSIONS IN CM



# JEAN MARIE

**ARM**  
 H: 20 7/8"  
 D: 43 3/8"

**ELEMENT**  
 H: 34 5/8"  
 SH: 18 1/8"  
 D: 43 3/8"



<b>Article Code</b>	AL1	AR1	17	15	9	09B
<b>Description</b>	Left Armrest	Right Armrest	Armless Fixed Single Seat	Armless Fixed Single Seat	Armless Fixed Single Seat	Armless Fixed Single Seat

<b>COM Yardage</b>	1.95	1.95	3.74	4.45	5.23	6.18
--------------------	------	------	------	------	------	------

<b>Fabric</b>						
COM						
ST01						
ST02						
ST03						
ST05						
ST06						

<b>COL Sqft</b>	24.76	24.76	58.56	74.81	93.75	103.12
-----------------	-------	-------	-------	-------	-------	--------

<b>Leather</b>						
COL						
W4						
W5						
W6						

# JEAN MARIE

**ARM**

H: 20 7/8"

D: 43 3/8"

**ELEMENT**

H: 34 5/8"

SH: 18 1/8"

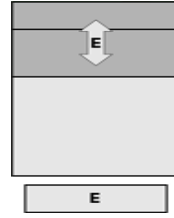
**W:**



10

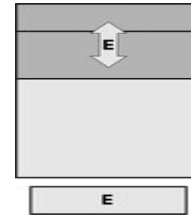


10



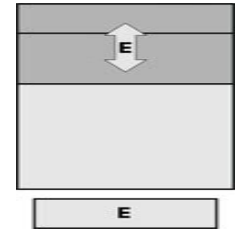
25 1/2

Depth w/ Recliner: 69 3/4"



31 1/2

Depth w/ Recliner: 69 3/4"



39 1/2

Depth w/ Recliner: 69 3/4"

<b>Article Code</b>	AL1	AR1	63T	73T	83T
<b>Description</b>	Left Armrest	Right Armrest	Motorized Reclining Armless Single Seat w/ Manual Headrest	Motorized Reclining Armless Single Seat w/ Manual Headrest	Motorized Reclining Armless Single Seat w/ Manual Headrest

<b>COM Yardage</b>	1.95	1.95	3.74	4.45	5.23
--------------------	------	------	------	------	------

<b>Fabric</b>					
COM					
ST01					
ST02					
ST03					
ST05					
ST06					

<b>COL Sqft</b>	24.76	24.76	58.56	74.81	93.75
-----------------	-------	-------	-------	-------	-------

<b>Leather</b>					
COL					
W4					
W5					
W6					



# JEAN MARIE

**ARM**

H: 20 7/8"

D: 43 3/8"

**ELEMENT**

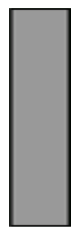
H: 34 5/8"

SH: 18 1/8"

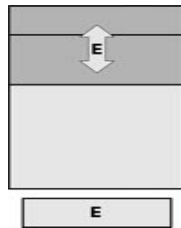
**W:**



10



10



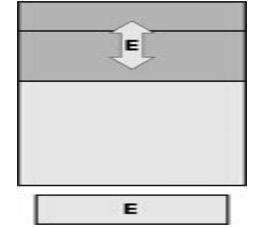
25 1/2

Depth w/ Recliner: 69 3/4"



31 1/2

Depth w/ Recliner: 69 3/4"



39 1/2

Depth w/ Recliner: 69 3/4"

<b>Article Code</b>	AL1	AR1	463T	473T	483T
<b>Description</b>	Left Armrest	Right Armrest	Motorized Reclining Armless Single Seat & Headrest	Motorized Reclining Armless Single Seat & Headrest	Motorized Reclining Armless Single Seat & Headrest

<b>COM Yardage</b>	1.95	1.95	3.74	4.45	5.23
--------------------	------	------	------	------	------

<b>Fabric</b>					
COM					
ST01					
ST02					
ST03					
ST05					
ST06					

<b>COL Sqft</b>	24.76	24.76	58.56	74.81	93.75
-----------------	-------	-------	-------	-------	-------

<b>Leather</b>					
COL					
W4					
W5					
W6					

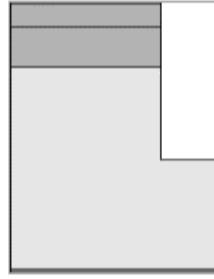
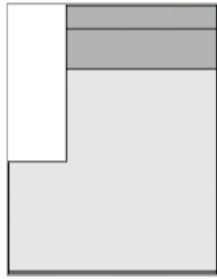
# JEAN MARIE

CHAISE - 56/57

H: 34 5/8"

SH: 18 1/8"

D: 74 7/8"



**W:**

49

49

31 1/2

31 1/2

<b>Article Code</b>	56	57	55E	455E
<b>Description</b>	Chaise - Needs AL1	Chaise - Needs AR1	Chaise incl Motorized Extender & Back Rest w/ Manual Head Mechanism	Chaise incl Motorized Extender, Back Rest & Head Mechanism

COM Yardage	7.40	7.40	6.05	6.05
-------------	------	------	------	------

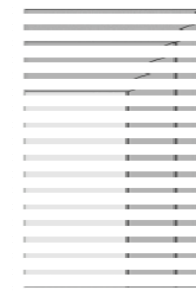
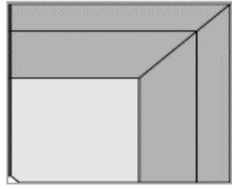
<b>Fabric</b>				
COM				
ST01				
ST02				
ST03				
ST05				
ST06				

COL Sqft	162.32	162.32	104.41	104.41
----------	--------	--------	--------	--------

<b>Leather</b>				
COL				
W4				
W5				
W6				

# JEAN MARIE

H: 34 5/8"



**W:**

49  
D: 49 1/4"

43 1/2  
D: 57"

43 1/2  
D: 57"

43 1/2  
D: 65"

43 1/2  
D: 65"

<b>Article Code</b>	40	41	42	43	44
<b>Description</b>	Corner	Left Long Corner	Right Long Corner	Left Extra Long Corner	Right Extra Long Corner

<b>COM Yardage</b>	8.48	8.72	8.72	9.51	9.51
--------------------	------	------	------	------	------

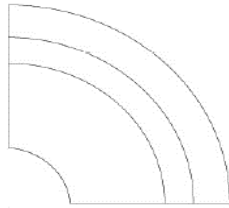
<b>Fabric</b>	
COM	
ST01	
ST02	
ST03	
ST05	
ST06	

<b>COL Sqft</b>	120.99	133.90	133.90	160.38	160.38
-----------------	--------	--------	--------	--------	--------

<b>Leather</b>	
COL	
W4	
W5	
W6	

# JEAN MARIE

H: 34 5/8"



W:

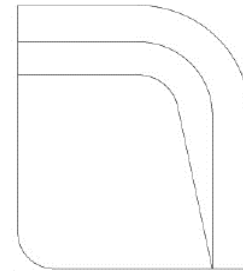
59

D: 59"



61

D: 72 7/8"



61

D: 72 7/8"



39 1/2

H: 18 1/8" D: 43 3/8"

<b>Article Code</b>	40C	41C	42C	90
<b>Description</b>	Curved Corner	Left Curved Corner	Right Curved Corner	Ottoman

COM Yardage	0.00	0.00	0.00	4.09
-------------	------	------	------	------

<b>Fabric</b>	
COM	
ST01	
ST02	
ST03	
ST05	
ST06	

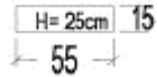
COL Sqft	0.00	0.00	0.00	64.58
----------	------	------	------	-------

<b>Leather</b>	
COL	
W4	
W5	
W6	

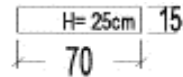
# JEAN MARIE

H: 6"

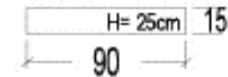
W:



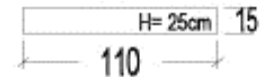
21 1/2



27 1/2



35 1/2



43 1/2

<b>Article Code</b>	BCL1	BCL2	BCL3	BCL4
<b>Description</b>	Lumbar Pillow	Lumbar Pillow	Lumbar Pillow	Lumbar Pillow

COM Yardage	0.94	1.14	1.40	1.66
-------------	------	------	------	------

<b>Fabric</b>				
COM				
ST01				
ST02				
ST03				
ST05				
ST06				

COL Sqft	8.83	0.00	7.70	7.70
----------	------	------	------	------

<b>Leather</b>				
COL				
W4				
W5				
W6				