

# LOU

## MOOME COLLECTION



# LOU

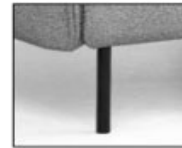
## PRODUCT INFORMATION

METAL FEET: STANDARD OPTIONS ARE PO3-180ZW / PO3-200-ZW/ PO11/200/ZW - COLOR RAL 9005

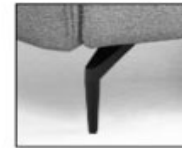
UPCHARGE FOR DIFFERENT RAL COLOR =

PER ELEMENT WOODEN

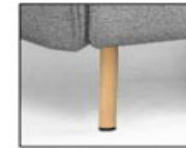
FEET: OPTION WITHOUT UPCHARGE



PO3-180  
PO3-200



PO11-180  
PO11-200



HTP7-180  
HTP7-200

ITEMS -35/37/38/39:

ADDITIONAL SUPPORTING LEG WILL BE PROVIDED DUE TO SPAN IN LENGTH

### FINISH OPTIONS

*possible RAL-colours:*



*beech, possible wood colours:*



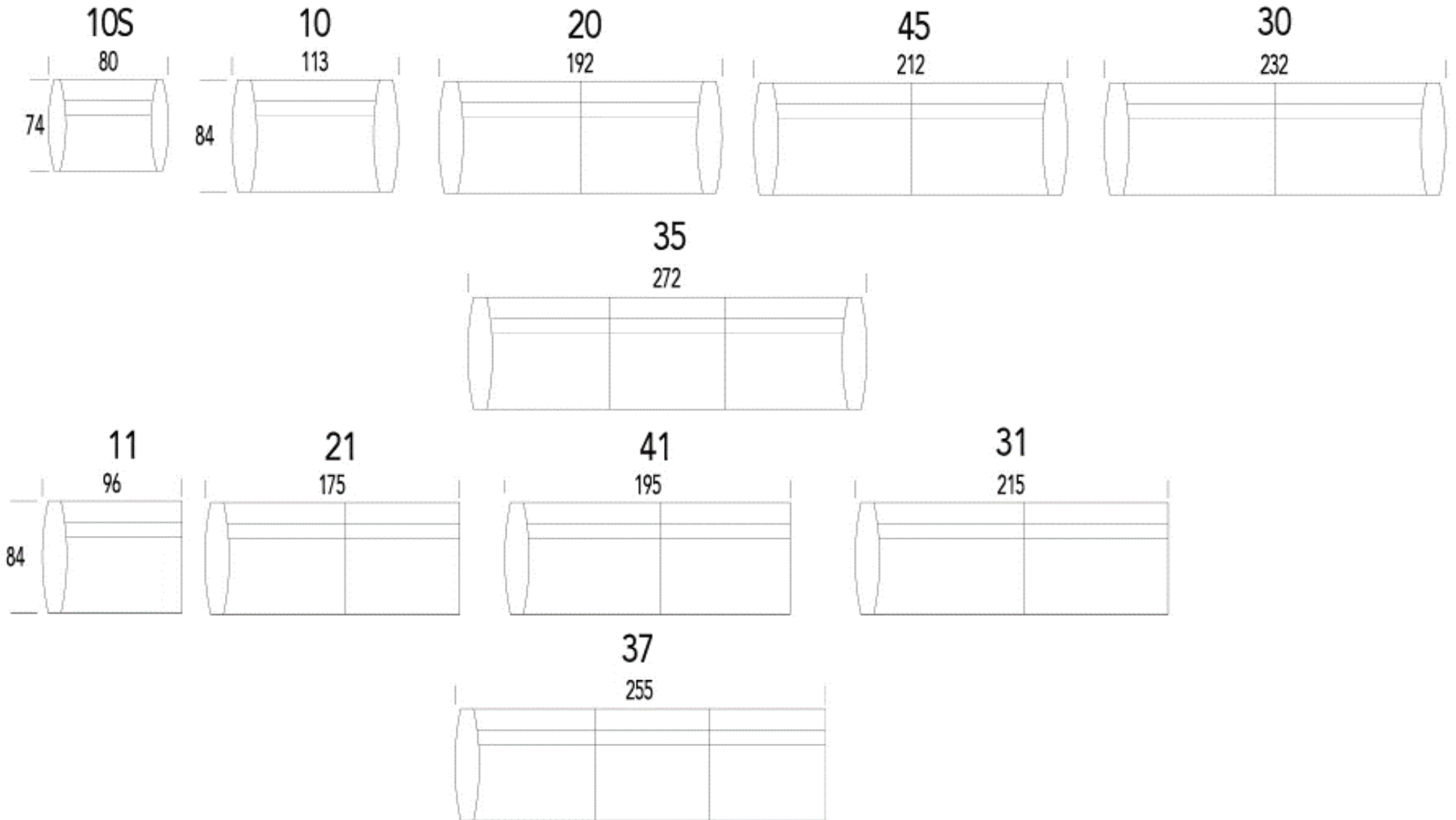
PRICING EFFECTIVE 01.01.2023

REVISED 08.16.2024

# LOU

## PRODUCT INFORMATION

DIMENSIONS IN CM



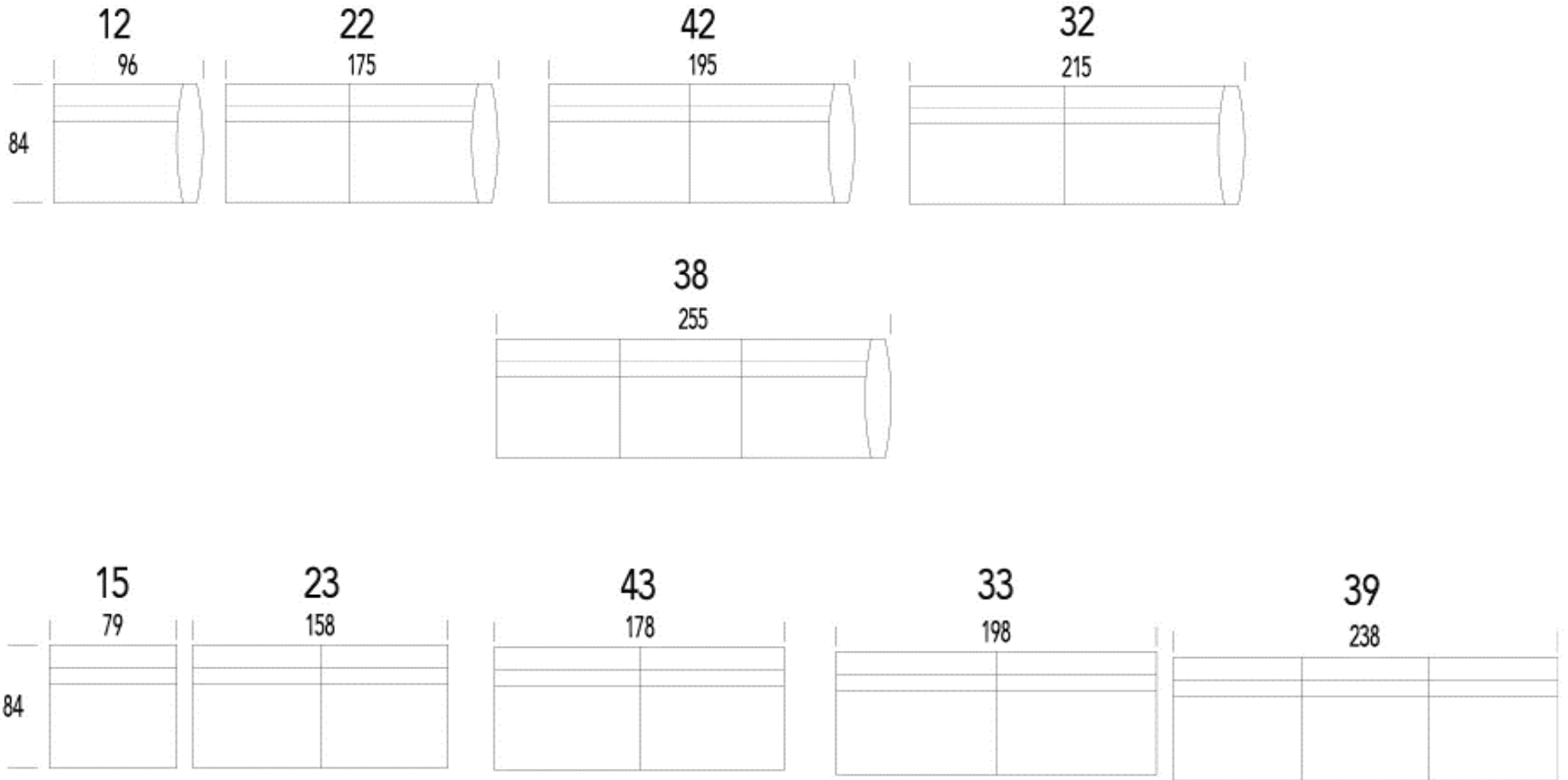
PRICING EFFECTIVE 01.01.2023

REVISED 08.16.2024

# LOU

## PRODUCT INFORMATION

DIMENSIONS IN CM



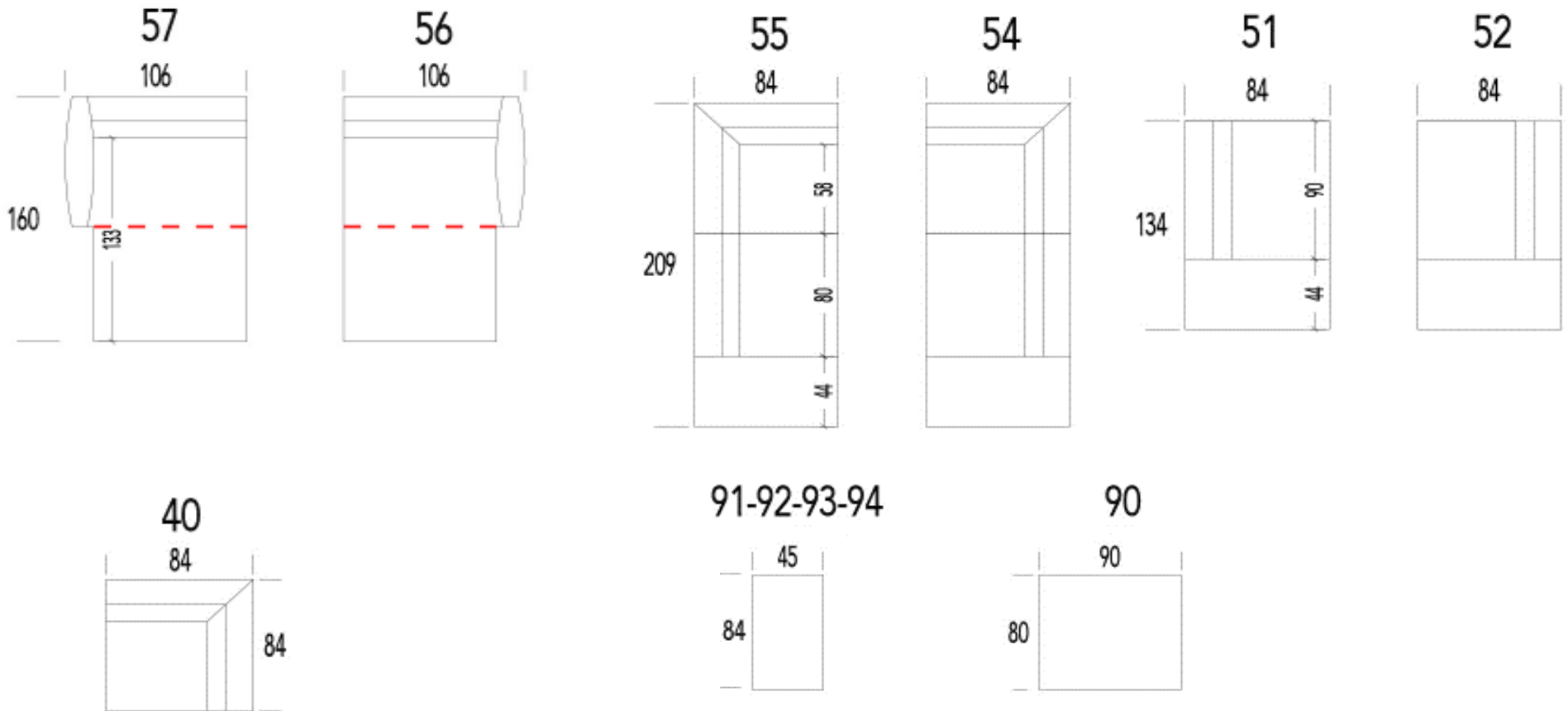
PRICING EFFECTIVE 01.01.2023

REVISED 08.16.2024

# LOU

## PRODUCT INFORMATION

DIMENSIONS IN CM

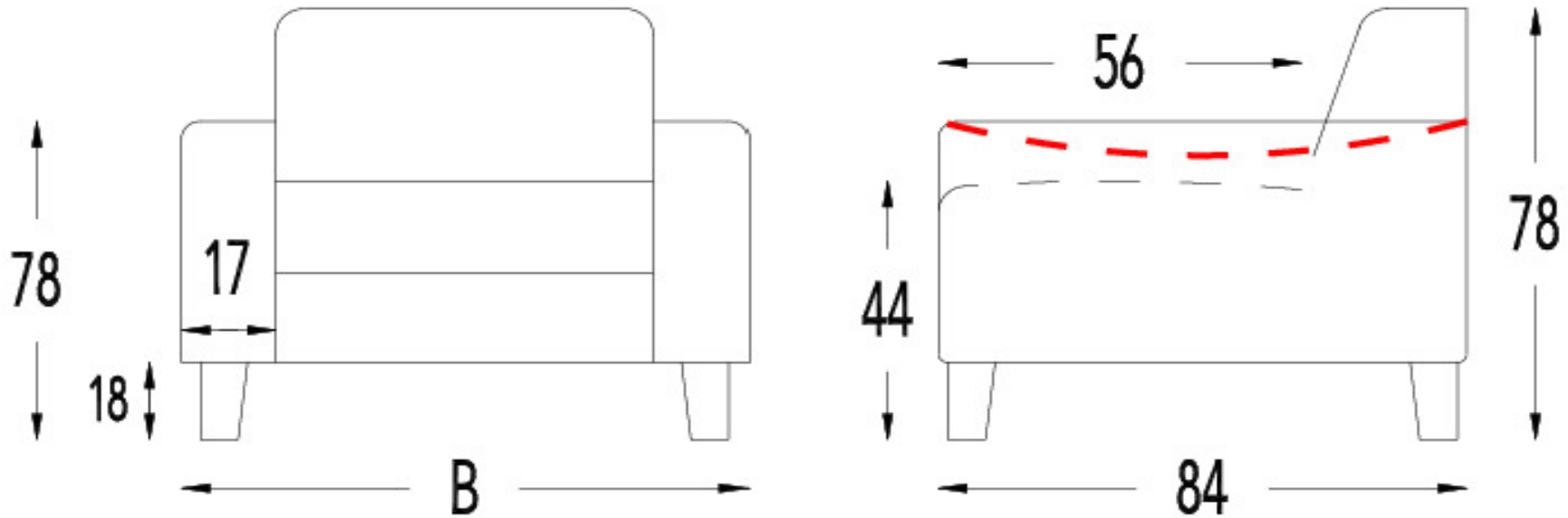


---  
leather seams

# LOU

## PRODUCT INFORMATION

DIMENSIONS IN CM

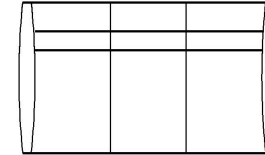
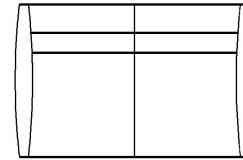
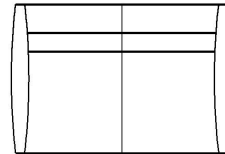
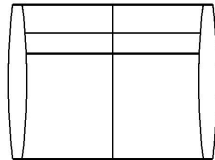
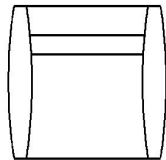
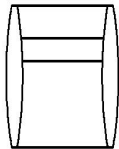


(Tolerance on dimensions  $\pm 3\%$ )

leather seams

# LOU

**ELEMENT**  
SH: 17 3/8"  
SD: 22"



<b>W:</b>	31 1/2"	44 12"	75 5/8"	83 1/2"	91 3/8"	107"
<b>H:</b>	32 1/4"	30 3/4"	30 3/4"	30 3/4"	30 3/4"	30 3/4"
<b>D:</b>	29 1/8"	33"	33"	33"	33"	33"

<b>Article Code</b>	<b>10S</b>	<b>10</b>	<b>20</b>	<b>45</b>	<b>30</b>	<b>35</b>
<b>Description</b>	Small Chair	Chair	Small 2 Seater	Medium 2 Seater	Large 2 Seater	3 Seater

<b>COM Yardage</b>	4.57	5.05	7.34	7.58	7.58	8.06
--------------------	------	------	------	------	------	------

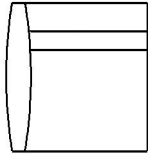
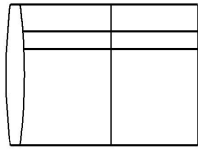
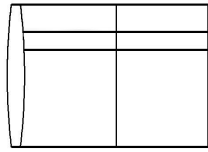
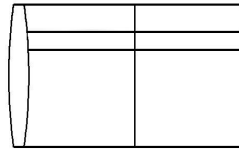
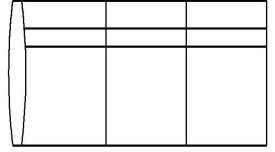
<b>Fabric</b>						
COM						
ST02						
ST03						
ST05						
ST06						

<b>COL Sqft</b>	74.27	99.03	130.03	139.93	210.43	173.30
-----------------	-------	-------	--------	--------	--------	--------

<b>Leather</b>						
COL						
W4						
W6						

**\*FABRIC SELECTION MUST BE TB117 CERTIFIED\***

# LOU

<b>ELEMENT</b> SH: 17 3/8" SD: 22"					
	<b>W:</b> 37 3/4"	68 7/8"	76 3/4"	84 5/8"	100 3/8"
	<b>H:</b> 30 3/4"	30 3/4"	30 3/4"	30 3/4"	30 3/4"
	<b>D:</b> 33"	33"	33"	33"	33"

Article Code	11/12	21/22	41/42	31/32	37/38
<b>Description</b>	11- Left Arm Facing Chair 12- Right Arm Facing Chair	21- Left Arm Facing Small 2 Seater 22- Right Arm Facing Small 2 Seater	41- Left Arm Facing Medium 2 Seater 42- Right Arm Facing Medium 2 Seater	31- Left Arm Facing Large 2 Seater 32- Right Arm Facing Large 2 Seater	37- Left Arm Facing 3 Seater 38- Right Arm Facing 3 Seater

<b>COM Yardage</b>	3.85	6.01	6.38	6.89	6.89
--------------------	------	------	------	------	------

<b>Fabric</b>					
COM					
ST02					
ST03					
ST05					
ST06					


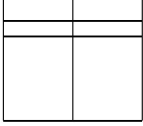
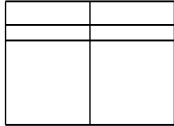
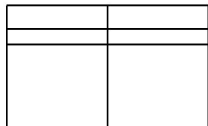
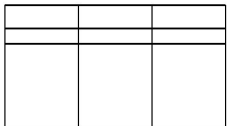
<b>COL Sqft</b>	74.27	111.41	117.65	126.26	148.54
-----------------	-------	--------	--------	--------	--------

<b>Leather</b>					
COL					
W4					
W6					

**\*FABRIC SELECTION MUST BE TB117 CERTIFIED\***



# LOU

<b>ELEMENT</b> SH: 17 3/8" SD: 22"						
	<b>W:</b>	31 1/8"	62 1/4"	70"	78"	93 3/4"
	<b>H:</b>	30 3/4"	30 3/4"	30 3/4"	30 3/4"	30 3/4"
	<b>D:</b>	33"	33"	33"	33"	33"

<b>Article Code</b>	<b>15</b>	<b>23</b>	<b>43</b>	<b>33</b>	<b>39</b>
<b>Description</b>	Armless Single Element	Armless Small 2 Seater Element	Armless Medium 2 Seater Element	Armless Large 2 Seater Element	Armless 3 Seater Element

<b>COM Yardage</b>	3.25	4.81	5.41	6.01	6.01
--------------------	------	------	------	------	------

<b>Fabric</b>	
COM	
ST02	
ST03	
ST05	
ST06	

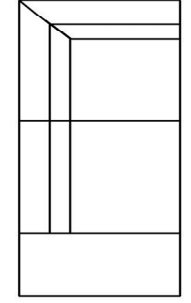
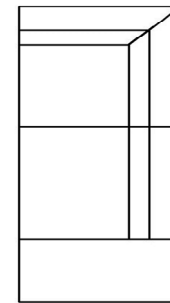
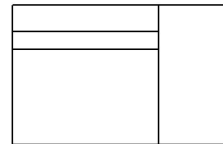
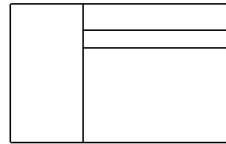
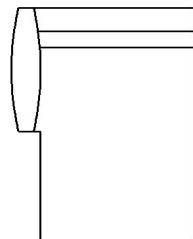
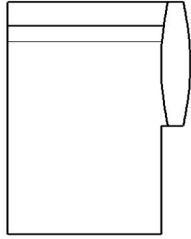
<b>COL Sqft</b>	61.89	84.17	94.08	105.27	123.78
-----------------	-------	-------	-------	--------	--------

<b>Leather</b>	
COL	
W4	
W6	

**\*FABRIC SELECTION MUST BE TB117 CERTIFIED\***

# LOU

ELEMENT  
SH: 17 3/8"



<b>W:</b>	41 3/4"	41 3/4"	52 3/4"	52 3/4"	41 3/4"	41 3/4"
<b>H:</b>	30 3/4"	30 3/4"	30 3/4"	30 3/4"	30 3/4"	30 3/4"
<b>D:</b>	63"	63"	33"	33"	82 1/4"	82 1/4"

<b>Article Code</b>	<b>56</b>	<b>57</b>	<b>51</b>	<b>52</b>	<b>54</b>	<b>55</b>
<b>Description</b>	Right Arm Facing Chaise	Left Arm Facing Chaise	Left Side Add-On Bumper End	Right Side Add-On Bumper End	Right Side Corner Chaise	Left Side Corner Chaise

<b>COM Yardage</b>	5.41	5.41	4.21	4.21	7.82	7.82
--------------------	------	------	------	------	------	------

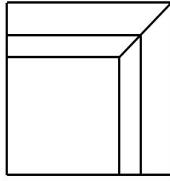
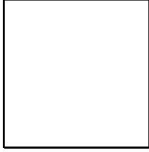


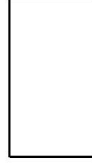

<b>Fabric</b>	
COM	
ST02	
ST03	
ST05	
ST06	

<b>COL Sqft</b>	99.03	99.03	76.75	76.75	136.16	136.16
-----------------	-------	-------	-------	-------	--------	--------

<b>Leather</b>	
COL	
W4	
W6	

**\*FABRIC SELECTION MUST BE TB117 CERTIFIED\***

# LOU

CORNER SH: 17 3/8"						
	<b>W:</b> 33"	35 1/2"	17 3/4"	17 3/4"	17 3/4"	17 3/4"
<b>H:</b> 30 3/4"	17 3/8"	17 3/8"	17 3/8"	17 3/8"	17 3/8"	17 3/8"
<b>D:</b> 33"	35 1/2"	33"	33"	33"	33"	33"

Article Code	40	90	94	91	92	93
Description	Corner	Ottoman	Ottoman	Add-On Ottoman meant to go in between seats	Add-On Ottoman meant to go on RIGHT side of seat	Add-On Ottoman meant to go on LEFT side of seat

COM Yardage	3.13	2.41	2.41	2.41	2.41	2.41
-------------	------	------	------	------	------	------

Fabric	
COM ST02 ST03 ST05 ST06	

COL Sqft	74.27	37.14	37.14	37.14	37.14	37.14
----------	-------	-------	-------	-------	-------	-------

Leather	
COL W4 W6	

**\*FABRIC SELECTION MUST BE TB117 CERTIFIED\***