

# PESCARA

## MOOME COLLECTION



PRICING EFFECTIVE 10.01.2024

REVISED 03.26.2025

# PESCARA

## PRODUCT INFORMATION

STANDARD: MOTORIZED HEADREST

ARMREST: TO BE ORDERED SEPERATELY

COMFORT: STANDARD MEDIUM (M)

OPTION: HARD (H) - NO UPCHARGE

SIDE PANEL: UPCHARGE FOR UPHOSTERED PLATE ON FIXED OR MOTION ELEMENTS

FABRIC SIDE PANEL:  
LEATHER SIDE PANEL

FEET: STANDARD HEIGHT 15CM

PUSH BUTTONS: STANDARD VERSIONS COMES WITH 8 TOUCH BUTTONS (2 PER MOTOR)

RF CONTROL: REMOTE CONTROL WILL ALWAYS BE COMBINED WITH THE STANDARD 8 TOUCH BUTTONS

UPCHARGE FOR REMOTE:

BATTERY PACK : THE BATTERY PACK IS ALWAYS COMBINED WITH 8 BUTTONS (2 PER MOTOR). CHARGING IS DONE AT THE BACK OF THE SOFA AT THE BOTTOM VIA CABLE

UPCHARGE FOR BATTERY PACK:

BATTERY & RF CONTROL (REMOTE) CANNOT BE COMBINED\*\*



# PESCARA

## PRODUCT INFORMATION

### BATTERY PACK TECHNICAL INFORMATION

#### 1. SAFETY INSTRUCTIONS:

- Ambient temperature 0°C – 40°C
- Handle battery carefully!
  - Do not throw, drop or subject to strong vibrations
  - Do not expose to fire
  - Do not disassemble
  - Do not submerge in water
  - Keep away from children
  - Use in a dry, well-ventilated area

#### 2. INITIAL USE

Fully charge the battery before using it for the first time. Charging time is +/- 8 hours. The battery is fully charged when the green led turns on.

#### 3. LOAD

Charge the battery only with the supplied transformer.  
Flashing red LED light: the battery is charging  
Green LED light on permanently: battery fully charged  
Red LED light permanently on: battery defective

#### Attention:

- When charging the battery of your relax chair, always connect the battery (via the charging point) to the transformer first. Then connect the transformer to the mains.
- After charging, first disconnect the transformer from the mains, then from the battery.
- Charging should be done after the battery beeps, not before.
- The battery should be fully charged every three months. Otherwise, it will become defective and the warranty is void.
- Charging should only take place at an ambient temperature between 0 ° C and 40 ° C.
- An 8 hour charge time is recommended.
- If the battery is not fully charged after 24 hours, replace the battery.
- After 3 months of storage (not in use), fully charge the battery.

#### 4. MAINTENANCE

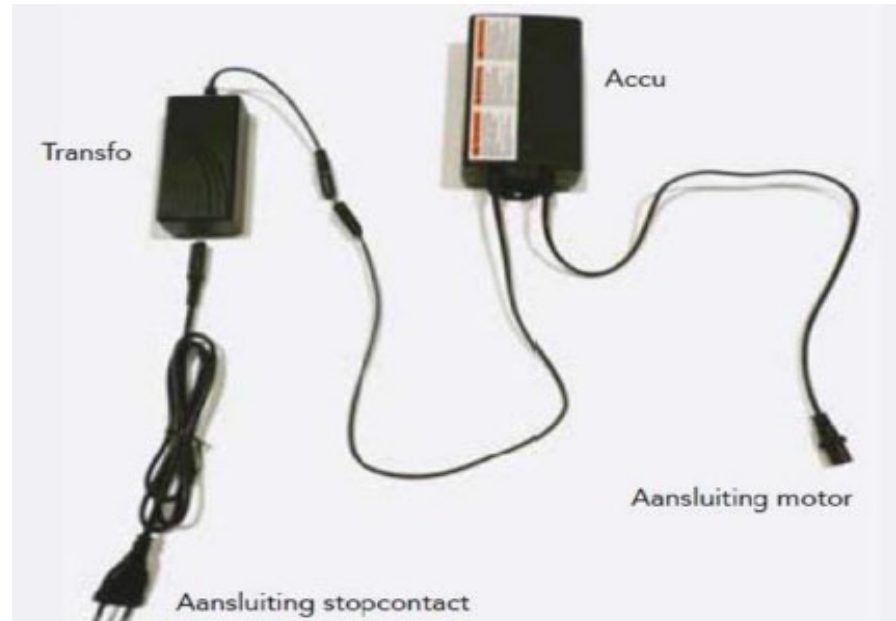
On regular basis:

- Remove dust and dirt with a slightly damp cloth
- Visual inspection for damage

#### 5. WARRANTY

Warranty battery and transformer = 2 years

PRICING EFFECTIVE 10.01.2024



# PESCARA

## PRODUCT INFORMATION

### FINISH NOTES

### NOT AVAILABLE IN LEATHERS:

W401XX

W429XX

W477XX

# PESCARA

## PRODUCT INFORMATION

### LEG OPTIONS:

### PRICING:

### PHOTO:

STANDARD **PO8-150-BR** BRONZE METAL LEGS  
OPTION **PO8-150-ZW** BLACK RAL 9005 METAL LEGS  
OPTION **PO8-150-CH** CHROME METAL LEGS  
OPTION **PO8-150-RAL** RAL COLOR METAL LEGS



STANDARD **PO9-150-BR** BRONZE METAL LEGS  
OPTION **PO9-150-ZW** BLACK RAL 9005 METAL LEGS  
OPTION **PO9-150-CH** CHROME METAL LEGS  
OPTION **PO9-150-RAL** RAL COLOR METAL LEGS



STANDARD **SL1-150-BR** BRONZE METAL LEGS  
OPTION **SL1-150-ZW** BLACK RAL 9005 METAL LEGS  
OPTION **SL1-150-CH** CHROME METAL LEGS  
OPTION **SL1-150-RAL** RAL COLOR METAL LEGS



# PESCARA

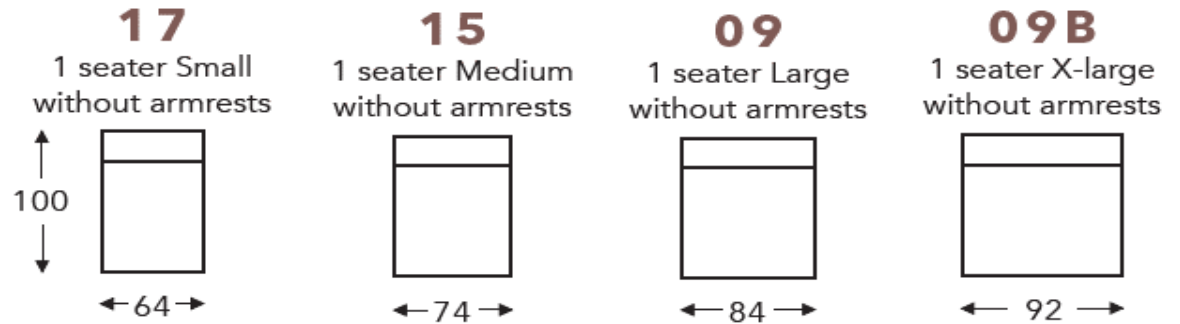
## PRODUCT INFORMATION

DIMENSIONS IN CM

### ARMS

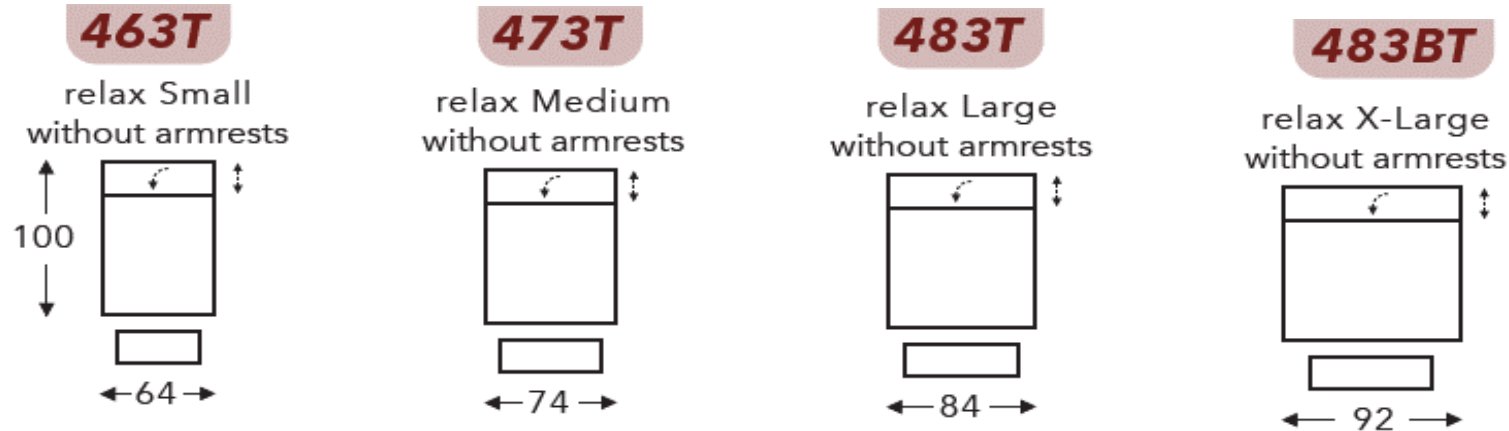


### FIXED SEATS



### MOTORIZED SEATS

*Electric headrest*



# PESCARA

## PRODUCT INFORMATION

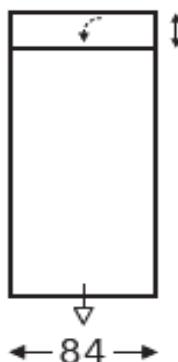
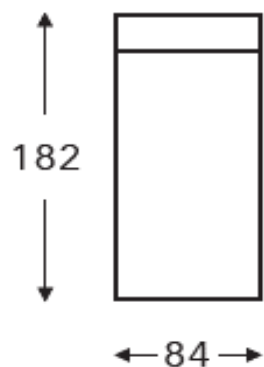
DIMENSIONS IN CM

CHAISE

*Electric headrest*

**55**

**455E**



CORNER

BUMPER END

**40**

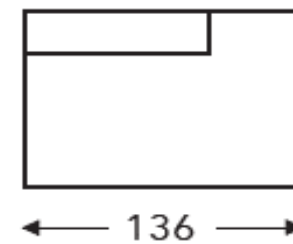
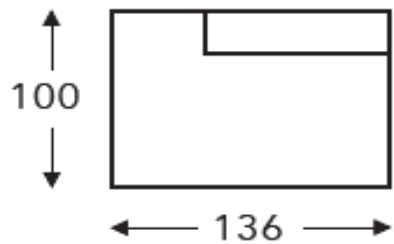
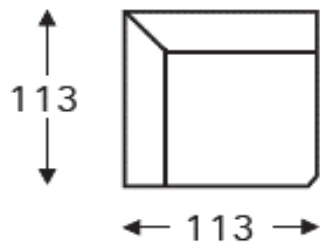
**51**

**52**

Corner

Endelement left

Endelement right



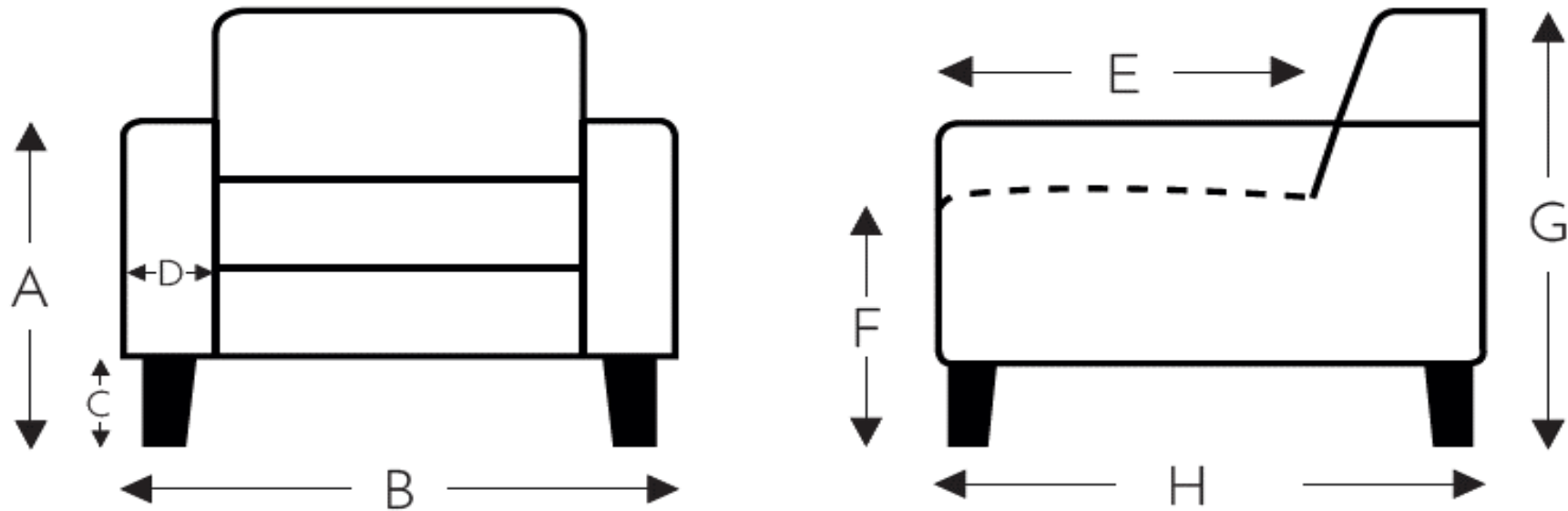
PRICING EFFECTIVE 10.01.2024

REVISED 03.26.2025

# PESCARA

## PRODUCT INFORMATION

DIMENSIONS IN CM

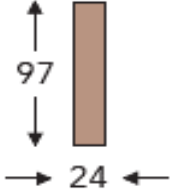
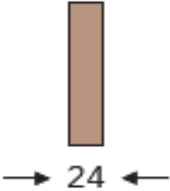
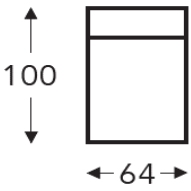
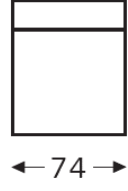
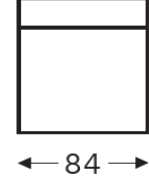



(Tolerance on dimensions  $\pm 3\%$ )

- A. Arm height: 59 cm
- B. Width : variable per elements
- C. Feet height: 15 cm
- D. Arm width: 24 cm
- E. Seat dept: 57 cm
- F. Seat height: 46 cm
- G. Back height: 95 cm
- H. Dept: 100 cm



# PESCARA

<b>ELEMENT</b> SH: 18 1/8"						
	<b>W:</b> 9 1/2"	9 1/2"	25 1/4"	29 1/8"	33"	36 1/4"
	<b>H:</b> 23 1/4"	23 1/4"	37 1/2"	37 1/2"	37 1/2"	37 1/2"
	<b>D:</b> 38 1/8"	38 1/8"	39 3/8"	39 3/8"	39 3/8"	39 3/8"

Article Code	AL1	AR1	17	15	9	09B
Description	Left Armrest	Right Armrest	Armless Fixed Single Seat	Armless Fixed Single Seat	Armless Fixed Single Seat	Armless Fixed Single Seat

COM Yardage	1.85	1.85	3.47	3.99	4.13	4.53
-------------	------	------	------	------	------	------

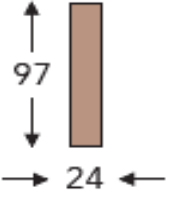
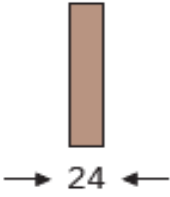
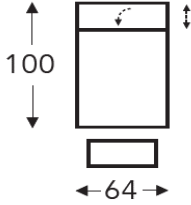
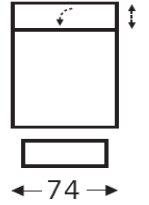
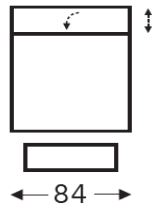
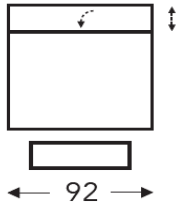
Fabric	
COM	
ST02	
ST03	
ST05	
ST06	

COL Sqft	26.91	26.91	58.13	64.05	69.10	78.04
----------	-------	-------	-------	-------	-------	-------

Leather	
COL	
W4	
W6	

**\*NOT AVAILABLE IN LEATHERS: W401XX, W429XX , W477XX\***

# PESCARA

ELEMENT SH: 18 1/8"						
	<b>W:</b> 9 1/2"	9 1/2"	25 1/4"	29 1/8"	33"	36 1/4"
<b>H:</b> 23 1/4"	23 1/4"	37 1/2"	37 1/2"	37 1/2"	37 1/2"	
<b>D:</b> 38 1/8"	38 1/8"	39 3/8"	39 3/8"	39 3/8"	39 3/8"	

Article Code	AL1	AR1	463T	473T	483T	483BT
<b>Description</b>	Left Armrest	Right Armrest	Motorized Reclining Armless Single Seat w/ Motorized Headrest	Motorized Reclining Armless Single Seat w/ Motorized Headrest	Motorized Reclining Armless Single Seat w/ Motorized Headrest	Motorized Reclining Armless Single Seat w/ Motorized Headrest

COM Yardage	1.85	1.85	4.02	4.80	5.06	5.95
-------------	------	------	------	------	------	------

<b>Fabric</b>						
COM						
ST02						
ST03						
ST05						
ST06						

COL Sqft	26.91	26.91	73.73	80.08	84.60	91.06
----------	-------	-------	-------	-------	-------	-------

<b>Leather</b>						
COL						
W4						
W6						

\*NOT AVAILABLE IN LEATHERS: W401XX, W429XX, W477XX\*

# PESCARA

<b>ELEMENT</b> SH: 18 1/8"						
	<b>W:</b>	44 1/2"	53 1/2"	53 1/2"	33"	33"
	<b>H:</b>	37 1/2"	37 1/2"	37 1/2"	37 1/2"	37 1/2"
	<b>D:</b>	44 1/2"	39 3/8"	39 3/8"	71 5/8"	71 5/8"

Article Code	40	51	52	55	455E
Description	Corner	Left Side Facing Bumper End Sofa	Right Side Facing Bumper End Sofa	Armless Chaise	Motorized Extending Armless Chaise w/ Motorized Headrest

COM Yardage	1.85	1.85	4.02	4.80	5.06
-------------	------	------	------	------	------

<b>Fabric</b>	
COM	
ST02	
ST03	
ST05	
ST06	

COL Sqft	26.91	26.91	26.91	80.08	84.60
----------	-------	-------	-------	-------	-------

<b>Leather</b>	
COL	
W4	
W6	

**\*NOT AVAILABLE IN LEATHERS: W401XX, W429XX, W477XX\***