

VIC

MOOME COLLECTION



VIC

PRODUCT INFORMATION

FEET:

T FOOT: HEIGHT OPTIONS ARE 4" - 5 1/8" - 6 1/4" IN ALUMINUM = STANDARD

T FOOT: HEIGHT OPTIONS ARE 4" - 5 1/8" - 6 1/4" IN RAL 9005 = STANDARD

SLEIGH FOOT: HEIGHT OPTIONS ARE 4" - 5 1/8" - 6 1/4" IN ALUMINUM OR BLACK (RAL 9005) =

UPCHARGE ON STANDARD DEPTH ITEMS:

UPCHARGE ON LONG CHAIR:



FINISH NOTES

NOT AVAILABLE IN LEATHERS:

W401XX

W429XX

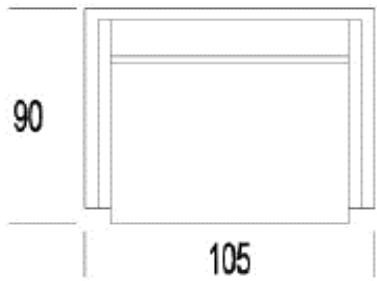
W477XX

VIC

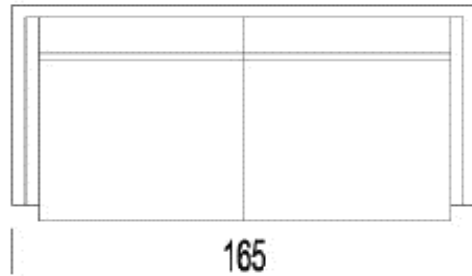
PRODUCT INFORMATION

DIMENSIONS IN CM

10



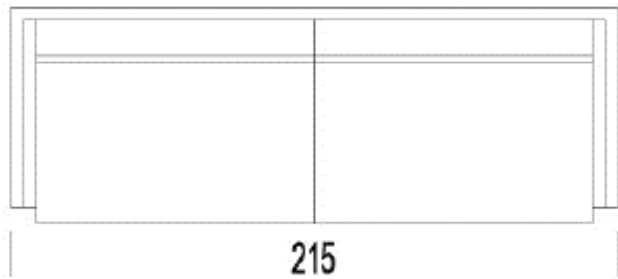
20



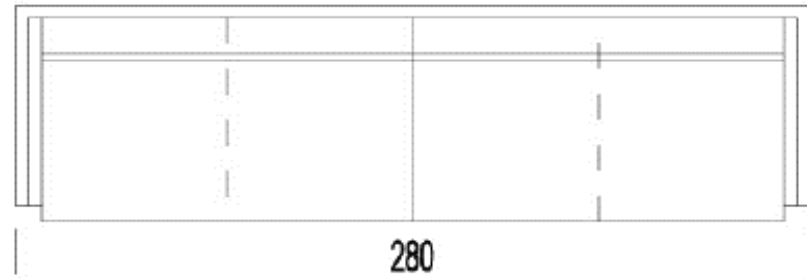
30



45



35

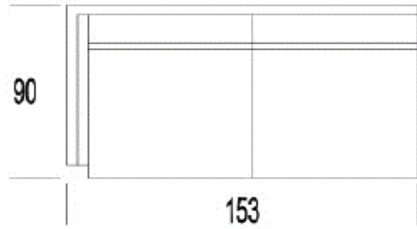


VIC

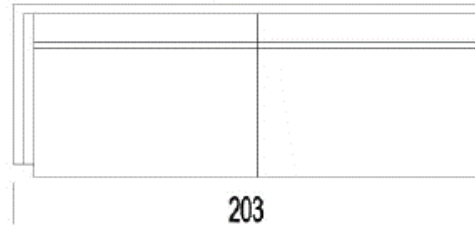
PRODUCT INFORMATION

DIMENSIONS IN CM

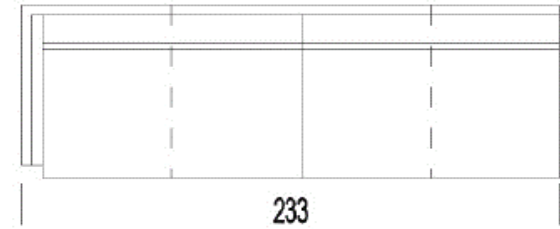
21



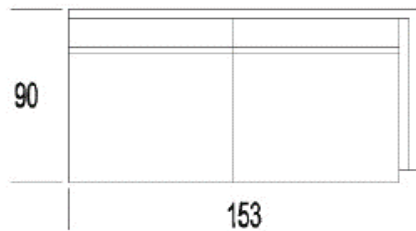
41



31



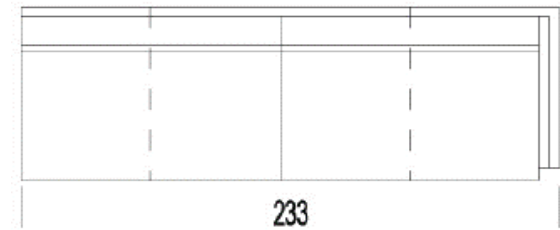
22



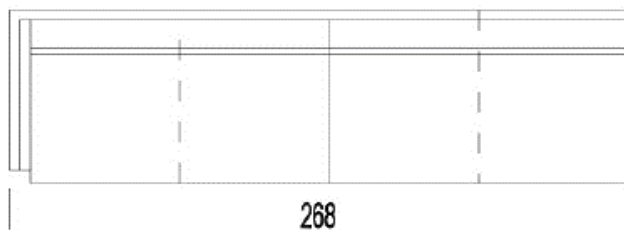
42



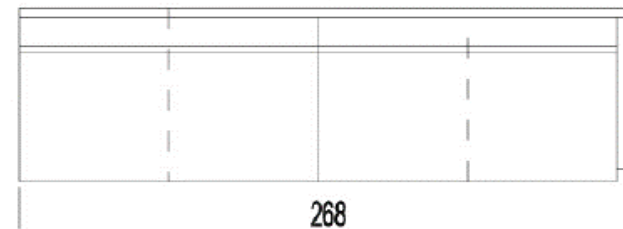
32



37



38



PRICING EFFECTIVE 01.01.2023

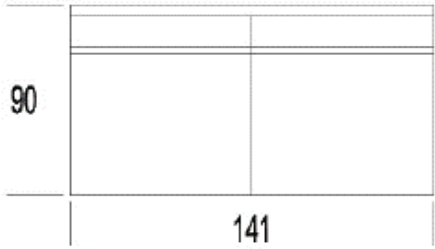
REVISED 08.22.2024

VIC

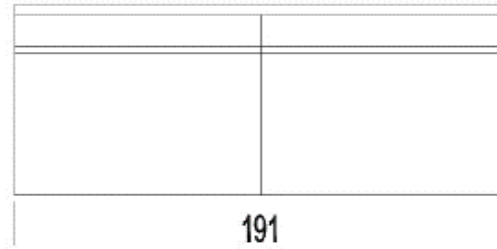
PRODUCT INFORMATION

DIMENSIONS IN CM

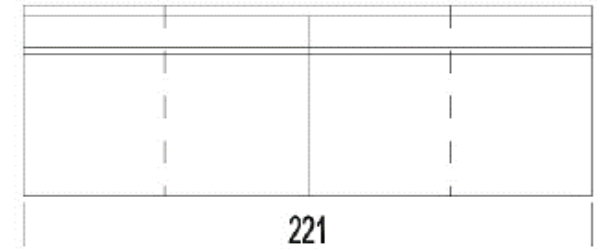
23



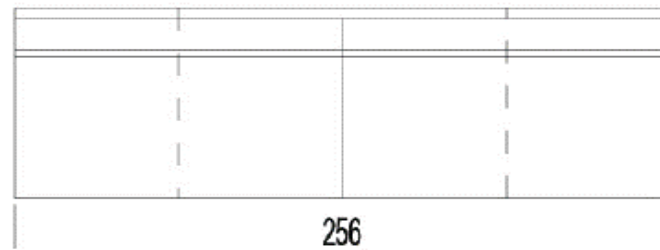
43



33



39

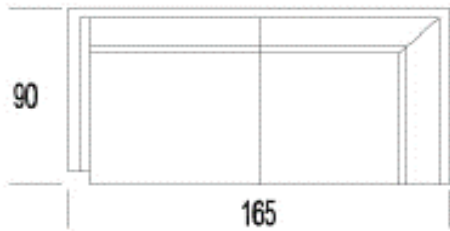


VIC

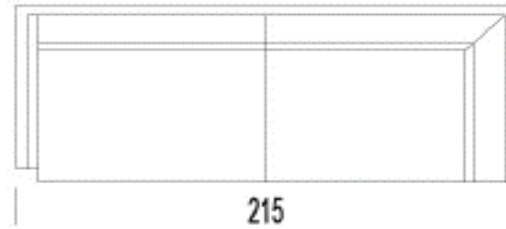
PRODUCT INFORMATION

DIMENSIONS IN CM

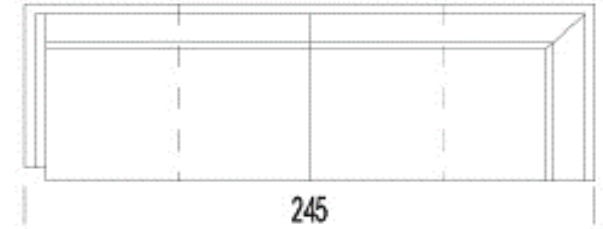
121



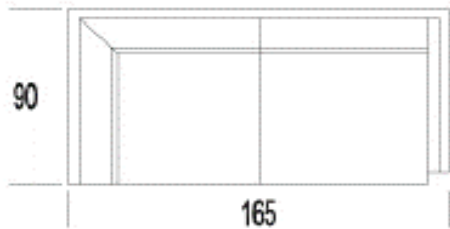
141



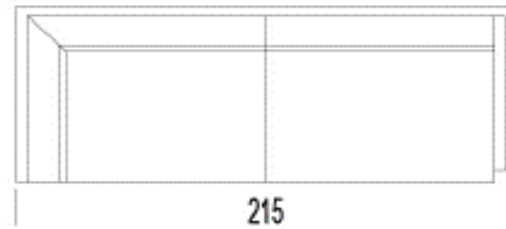
131



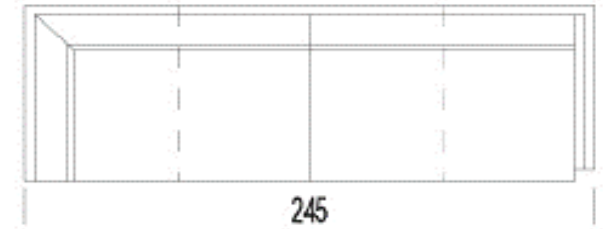
122



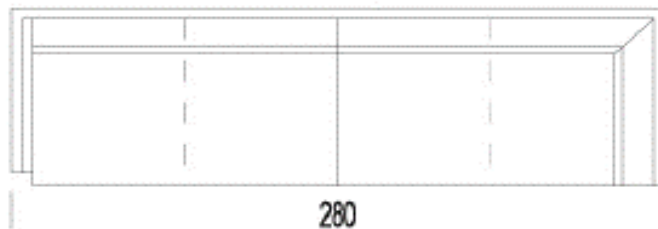
142



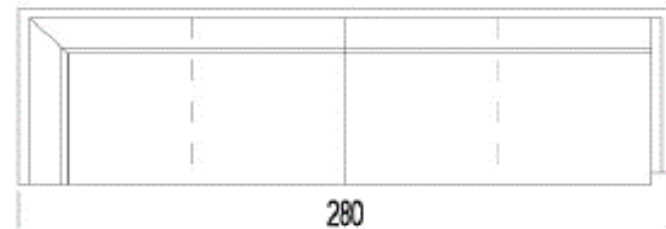
132



137



138



PRICING EFFECTIVE 01.01.2023

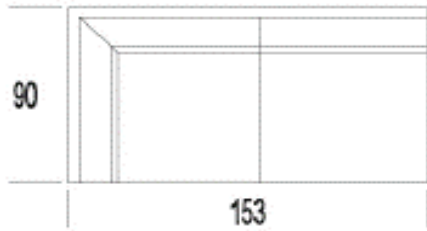
REVISED 08.22.2024

VIC

PRODUCT INFORMATION

DIMENSIONS IN CM

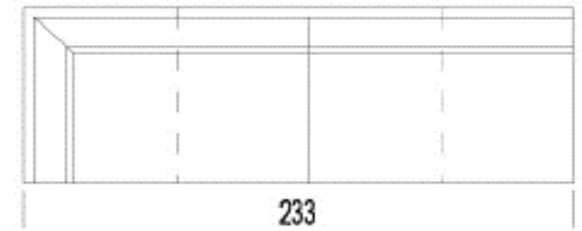
221



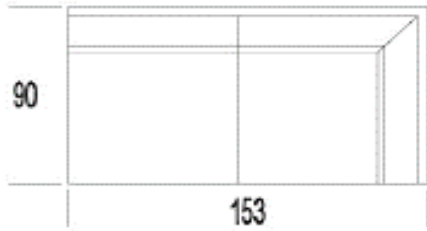
241



231



222



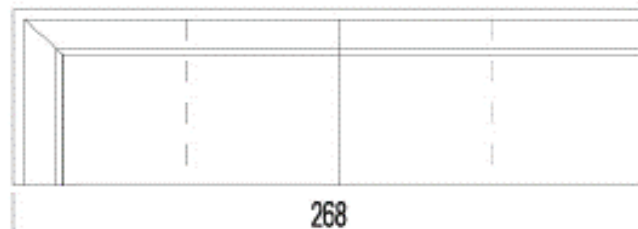
242



232



237



238



PRICING EFFECTIVE 01.01.2023

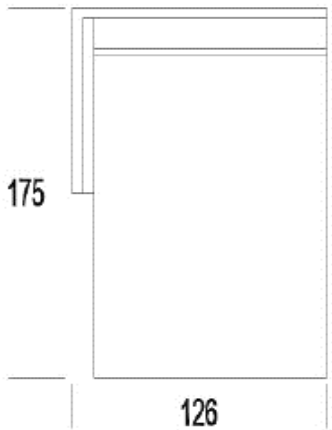
REVISED 08.22.2024

VIC

PRODUCT INFORMATION

DIMENSIONS IN CM

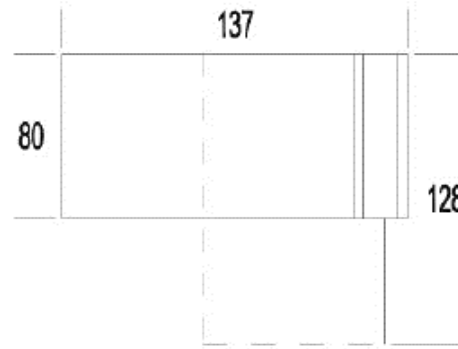
55



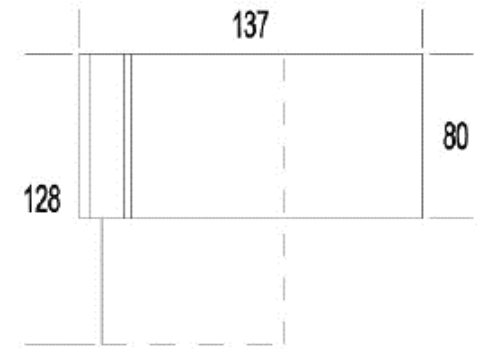
54



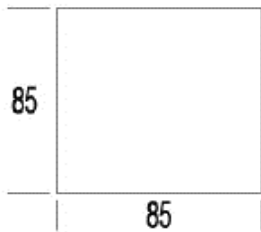
62



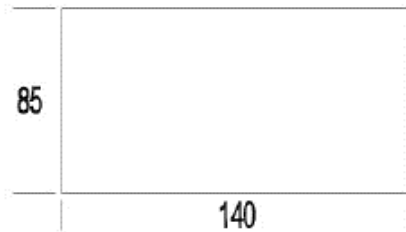
61



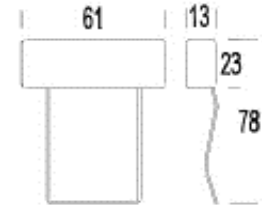
91



90



06

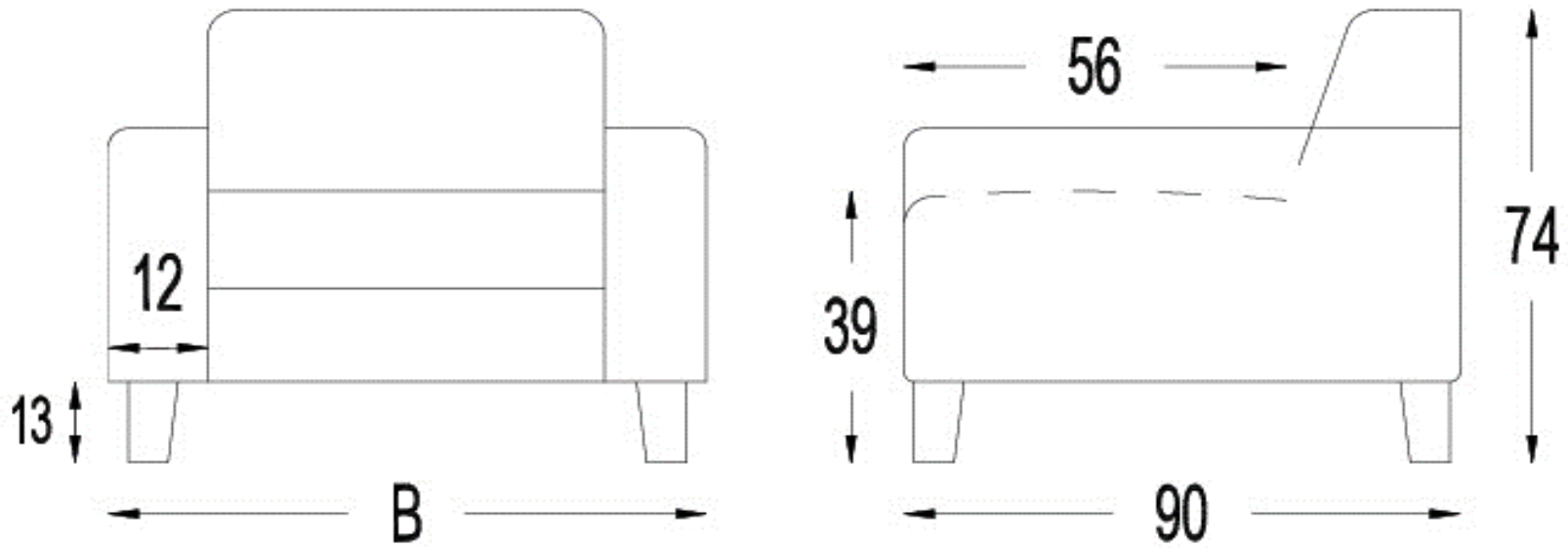


PRICING EFFECTIVE 01.01.2023

REVISED 08.22.2024

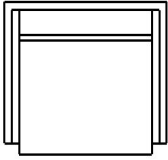
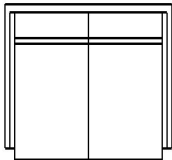
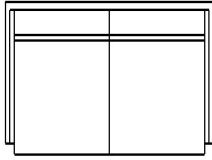
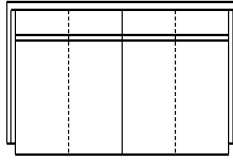
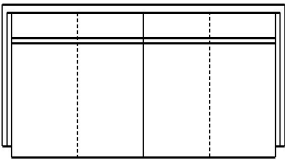
VIC

PRODUCT INFORMATION



(Tolerance on dimensions $\pm 3\%$)

VIC

ELEMENT SD: 22" H & SH: PENDING FOOT HEIGHT					
	W: 41 3/8"	65"	84 5/8"	96 1/2"	110 1/4"
D: 35 1/2"	35 1/2"	35 1/2"	35 1/2"	35 1/2"	35 1/2"

Article Code	10	20	45	30	35
Description	Chair	Small 2 Seater	Medium 2 Seater	Large 2 Seater	3 Seater

COM Yardage	5.56	7.66	9.36	9.36	10.63
--------------------	------	------	------	------	-------

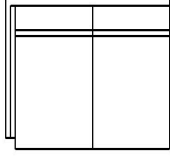
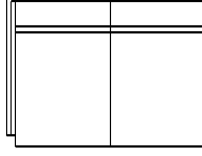
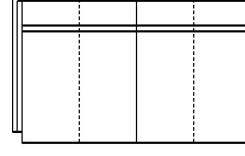
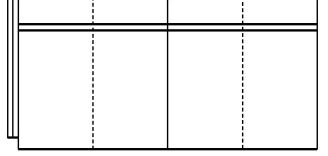
Fabric					
COM					
ST02					
ST03					
ST05					
ST06					

COL Sqft	107.32	150.26	189.44	199.46	225.93
-----------------	--------	--------	--------	--------	--------

Leather					
COL					
W4					
W6					

NOT AVAILABLE IN LEATHERS: W401XX, W429XX , W477XX

VIC

ELEMENT SD: 22" H & SH: PENDING FOOT HEIGHT				
	W: 60 1/4"	80"	91 3/4"	105 1/2"
D: 35 1/2"	35 1/2"	35 1/2"	35 1/2"	

Article Code	21/22	41/42	31/32	37/38
Description	21= Left Arm Facing 2 Seater 22= Right Arm Facing 2 Seater	41= Left Arm Facing Large 2 Seater 42= Right Arm Facing Large 2 Seater	31= Left Arm Facing Large 2 Seater 32= Right Arm Facing Large 2 Seater	37= Left Arm Facing 3 Seater 38= Right Arm Facing 3 Seater

COM Yardage	6.81	8.57	9.62	9.62
-------------	------	------	------	------

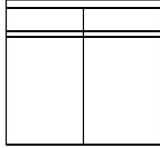
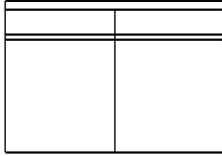
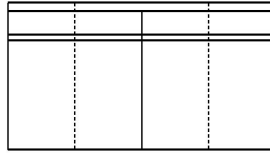
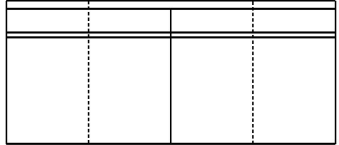
Fabric	
COM	
ST02	
ST03	
ST05	
ST06	

COL Sqft	126.15	169.85	177.82	208.39
----------	--------	--------	--------	--------

Leather	
COL	
W4	
W6	

NOT AVAILABLE IN LEATHERS: W401XX, W429XX, W477XX

VIC

ELEMENT SD: 22" H & SH: PENDING FOOT HEIGHT				
	W: 55 1/2"	75 1/4"	87"	100 3/4"
D: 35 1/2"	35 1/2"	35 1/2"	35 1/2"	

Article Code	23	43	33	39
Description	Armless Small 2 Seater Element	Armless Medium 2 Seater Element	Armless Large 2 Seater Element	Armless 3 Seater Element

COM Yardage	6.10	7.86	8.88	8.88
--------------------	------	------	------	------

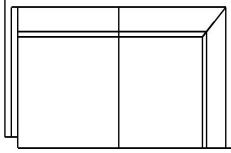
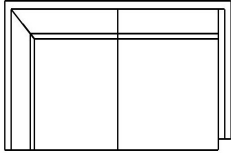
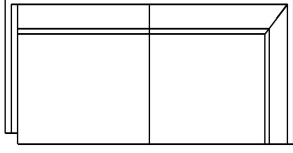
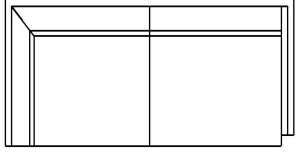
Fabric	
COM ST02 ST03 ST05 ST06	

COL Sqft	114.42	152.85	162.86	186.00
-----------------	--------	--------	--------	--------

Leather	
COL W4 W6	

NOT AVAILABLE IN LEATHERS: W401XX, W429XX , W477XX

VIC

ELEMENT H & SH: PENDING FOOT HEIGHT				
	W: 65"	W: 65"	W: 84 5/8"	W: 84 5/8"
	D: 35 1/2"	D: 35 1/2"	D: 35 1/2"	D: 35 1/2"

Article Code	121	122	141	142
Description	Left Arm Facing Chair w/ Corner	Right Arm Facing Chair w/ Corner	Left Arm Facing 2 Seater w/ 2 Seater Corner	Right Arm Facing 2 Seater w/ 2 Seater Corner

COM Yardage	8.58	8.58	10.32	10.32
-------------	------	------	-------	-------

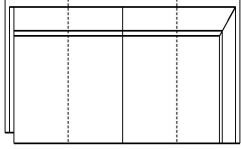
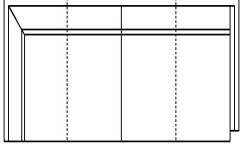
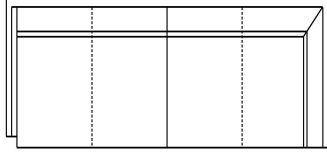
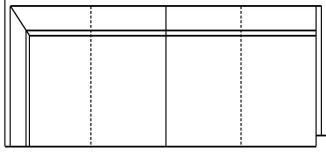
Fabric				
COM				
ST02				
ST03				
ST05				
ST06				

COL Sqft	157.37	157.37	198.06	198.06
----------	--------	--------	--------	--------

Leather				
COL				
W4				
W6				

NOT AVAILABLE IN LEATHERS: W401XX, W429XX , W477XX

VIC

ELEMENT H & SH: PENDING FOOT HEIGHT				
	W: 96 1/2"	96 1/2"	110 1/4"	110 1/4"
D:	35 1/2"	35 1/2"	35 1/2"	35 1/2"

Article Code	131	132	137	138
Description	Left Arm Facing Large 2 Seater w/ Large 2 Seater	Right Arm Facing Large 2 Seater w/ Large 2 Seater	Left Arm Facing 3 Seater w/ 3 Seater Corner	Right Arm Facing 3 Seater w/ 3 Seater Corner

COM Yardage	11.29	11.29	12.55	12.55
--------------------	-------	-------	-------	-------

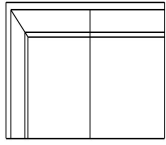
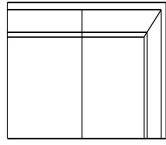
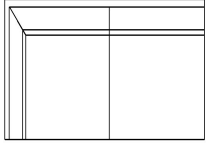
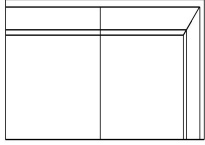
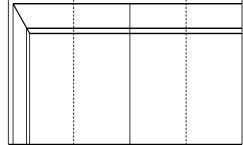
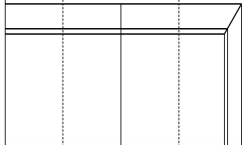
Fabric	
COM	
ST02	
ST03	
ST05	
ST06	

COL Sqft	221.09	221.09	240.03	240.03
-----------------	--------	--------	--------	--------

Leather	
COL	
W4	
W6	

NOT AVAILABLE IN LEATHERS: W401XX, W429XX , W477XX

VIC

ELEMENT H & SH: PENDING FOOT HEIGHT						
W:	60 1/4"	60 1/4"	80"	80"	96 1/2"	96 1/2"
D:	35 1/2"	35 1/2"	35 1/2"	35 1/2"	35 1/2"	35 1/2"

Article Code	221	222	241	242	231	232
Description	Left Side Facing Extended Corner	Right Side Facing Extended Corner	Left Side Facing Extended 2 Seater Corner	Right Side Facing Extended 2 Seater Corner	Left Side Facing Extended Large 2 Seater Corner	Right Side Facing Extended Large 2 Seater Corner

COM Yardage	7.83	7.83	9.57	9.57	10.56	10.56
-------------	------	------	------	------	-------	-------

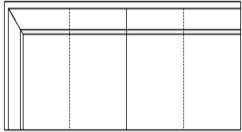
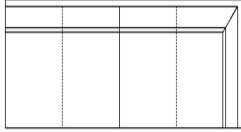
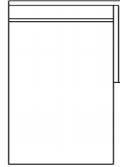
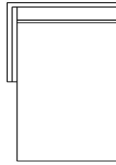
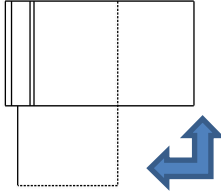
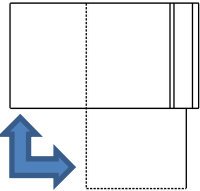
Fabric						
COM ST02 ST03 ST05 ST06						

COL Sqft	142.62	142.62	182.02	182.02	192.35	192.35
----------	--------	--------	--------	--------	--------	--------

Leather						
COL W4 W6						

NOT AVAILABLE IN LEATHERS: W401XX, W429XX, W477XX

VIC

ELEMENT H & SH: PENDING FOOT HEIGHT						
	W: 105 1/2"	W: 105 1/2"	W: 49 5/8"	W: 49 5/8"	W: 54"	W: 54"
D: 35 1/2"	D: 35 1/2"	D: 68 7/8"	D: 68 7/8"	D: 50 3/8"	D: 50 3/8"	

Article Code	237	238	54	55	61	62
Description	Left Side Facing Extended 3 Seater Corner	Right Side Facing Extended 3 Seater Corner	Right Side Facing Corner Chaise	Left Side Facing Corner Chaise	Turn Element Left	Turn Element Right

COM Yardage	11.68	11.68	7.61	7.61	4.55	4.55
--------------------	-------	-------	------	------	------	------

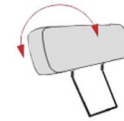
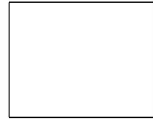
Fabric	
COM	
ST02	
ST03	
ST05	
ST06	

COL Sqft	222.81	222.81	164.47	164.47	92.14	92.14
-----------------	--------	--------	--------	--------	-------	-------

Leather	
COL	
W4	
W6	

NOT AVAILABLE IN LEATHERS: W401XX, W429XX , W477XX

VIC



W:	55 1/8"	31 1/2"	24"
D:	31 1/2"	31 1/2"	5 1/8"

Article Code	90	91	06
Description	Ottoman	Small Ottoman	Head Support

COM Yardage	3.59	2.22	0.59
--------------------	------	------	------

Fabric			
COM			
ST01			
ST02			
ST03			
ST05			
ST06			

COL Sqft	69.32	45.32	10.98
-----------------	-------	-------	-------

Leather			
COL			
W4			
W5			
W6			

NOT AVAILABLE IN LEATHERS: W401XX, W429XX , W477XX