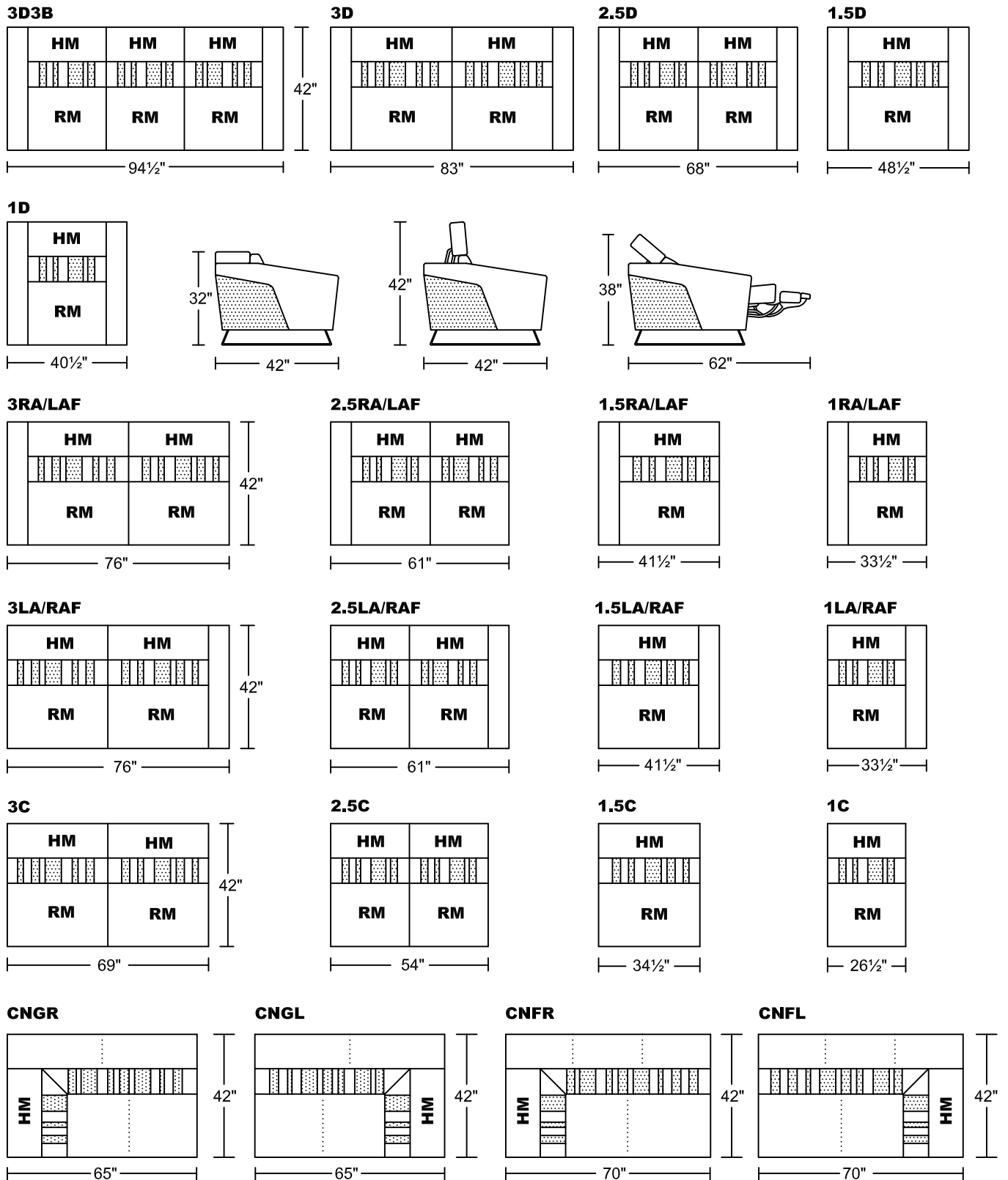


VENI II 0411A-M1

Designed for KELVIN GIORMANI



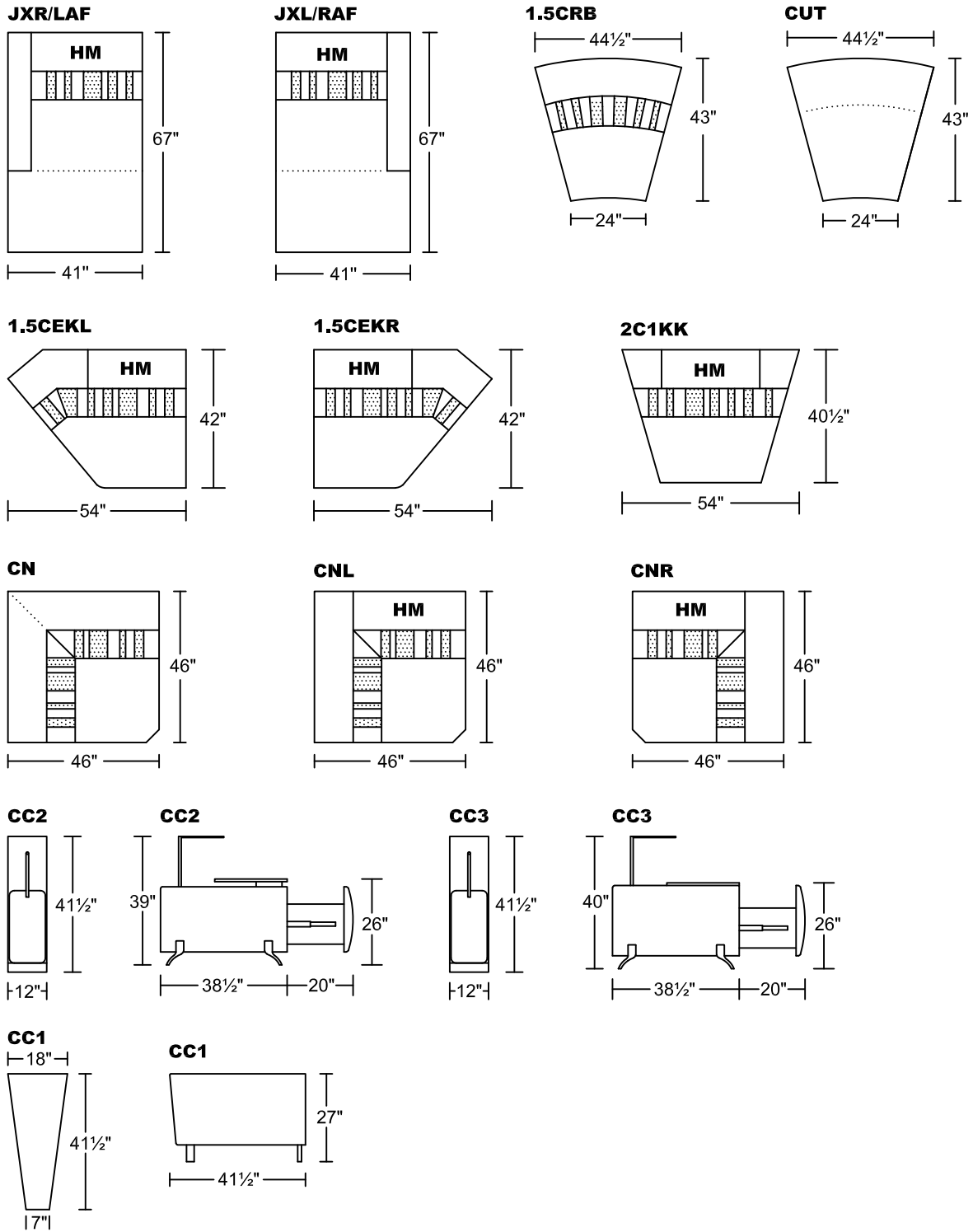
Remark:

HM - With Electrical Head Mechanism & Button Switch

RM - Reclining Mechanism

VENI II 0411A-M1

Designed for KELVIN GIORMANI



Remark:
 HM - With Electrical Head Mechanism & Button Switch
 RM - Reclining Mechanism