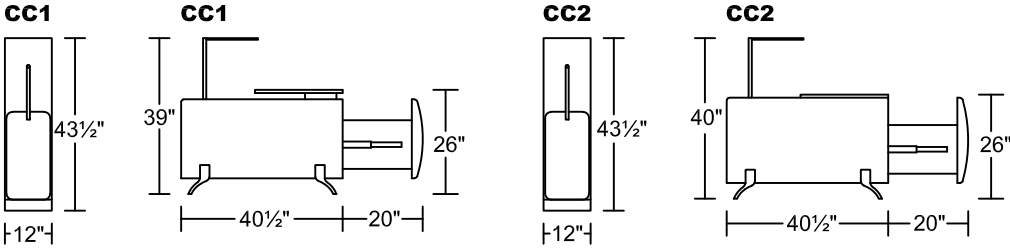
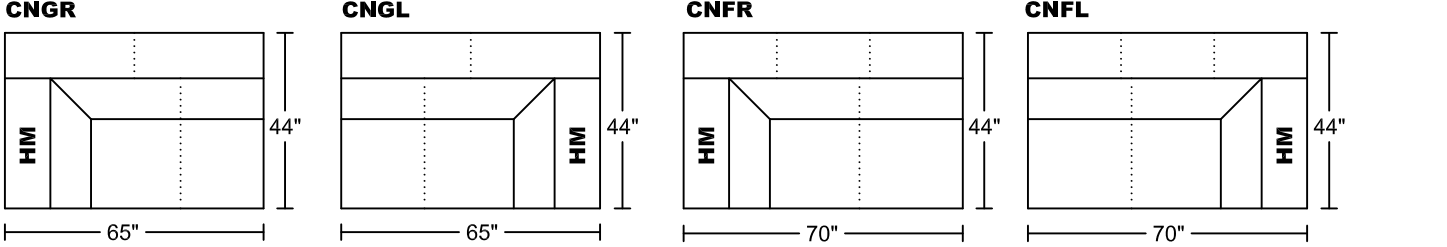
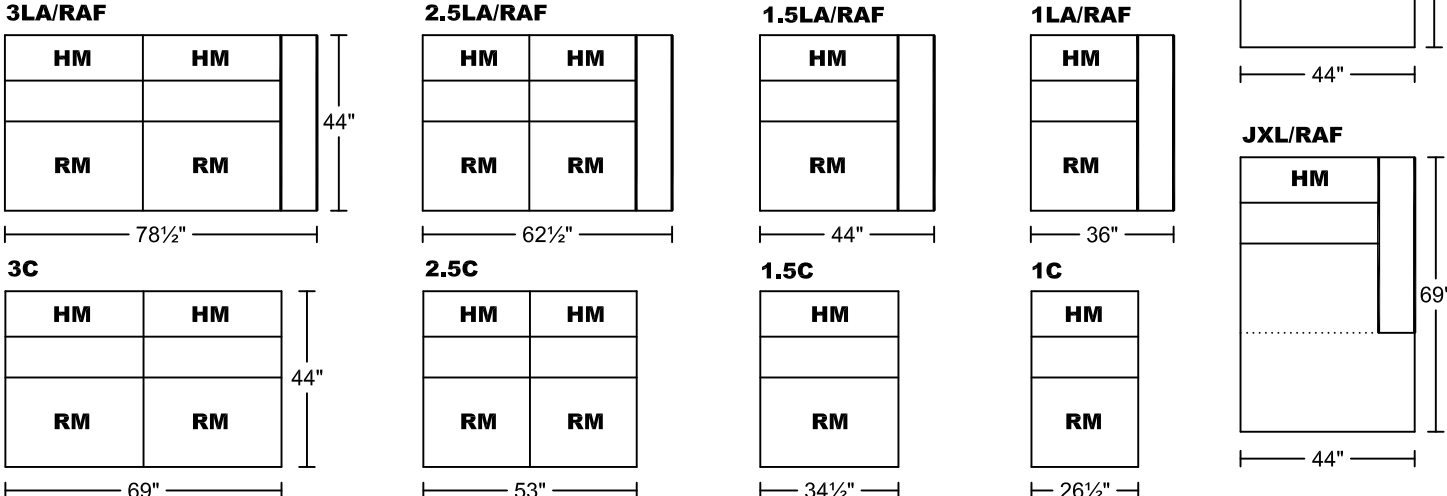
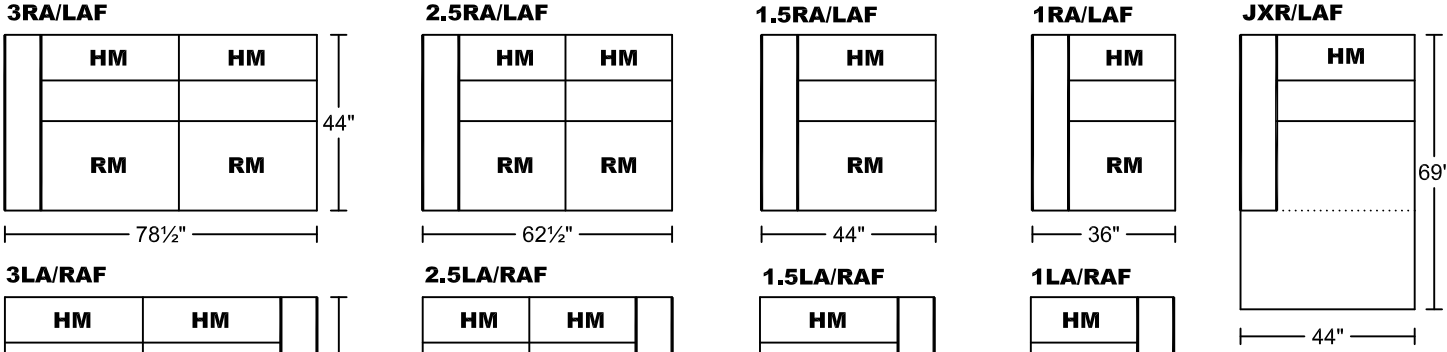
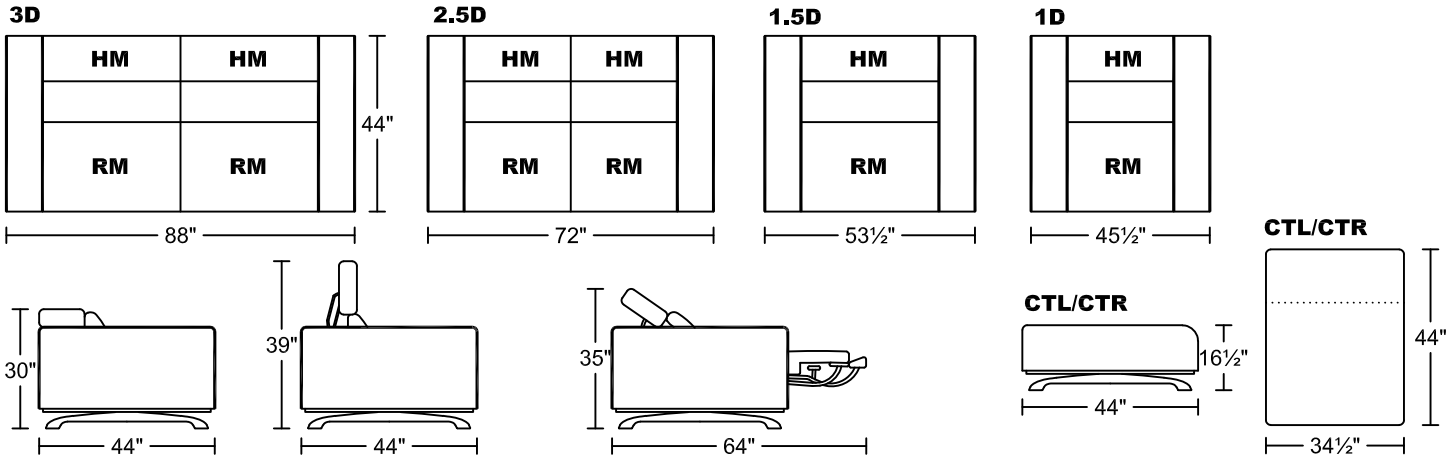


ESIBIRE I 0659A-M1

Designed by Kelvin Ng



Remark:
 HM - With Electrical Head Mechanism & Button Switch
 RM - Reclining Mechanism

Model	Cushion in fabric	Back Cushion
0659AP-M1		✓