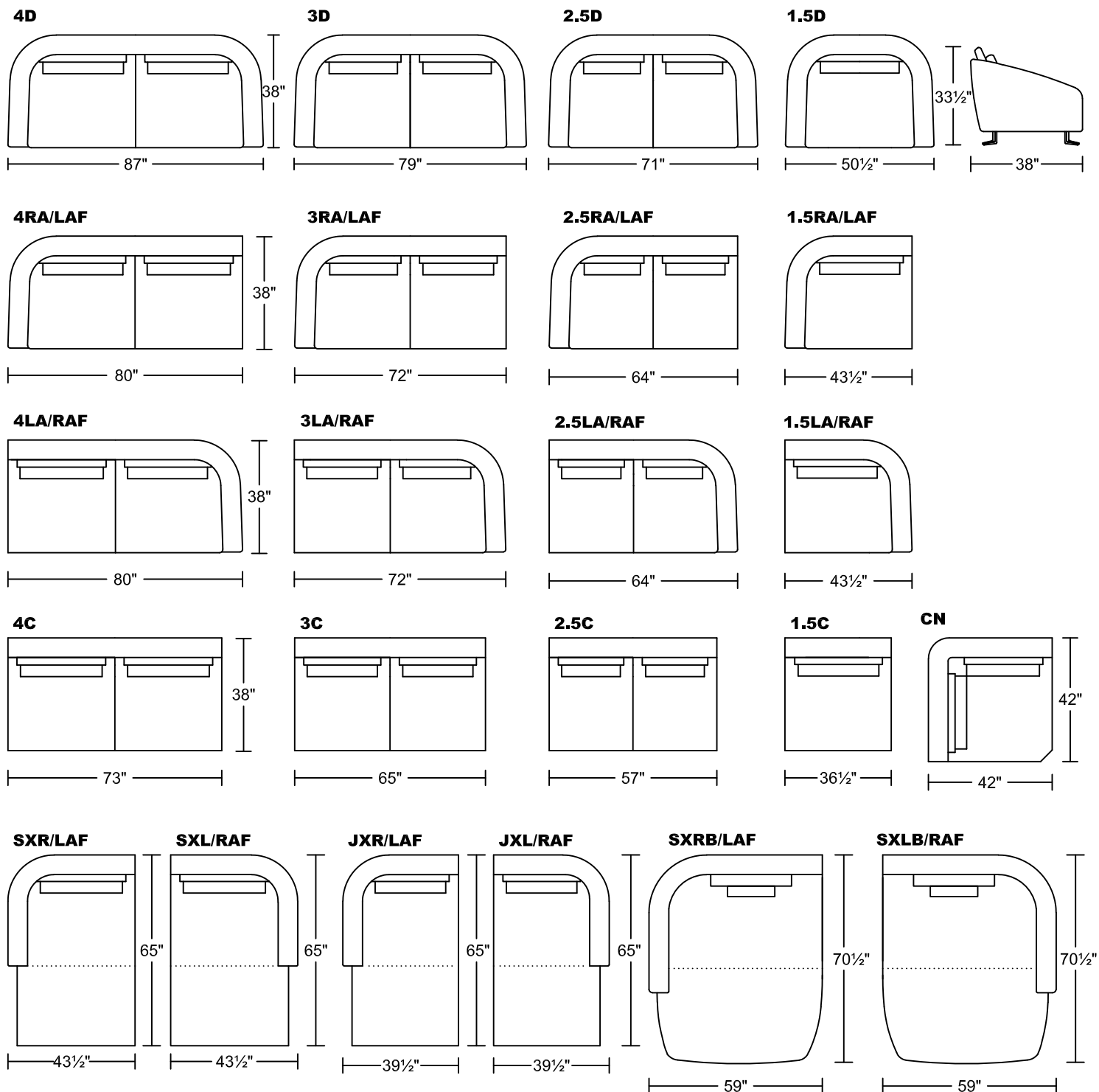


OLA I 0661A-M1

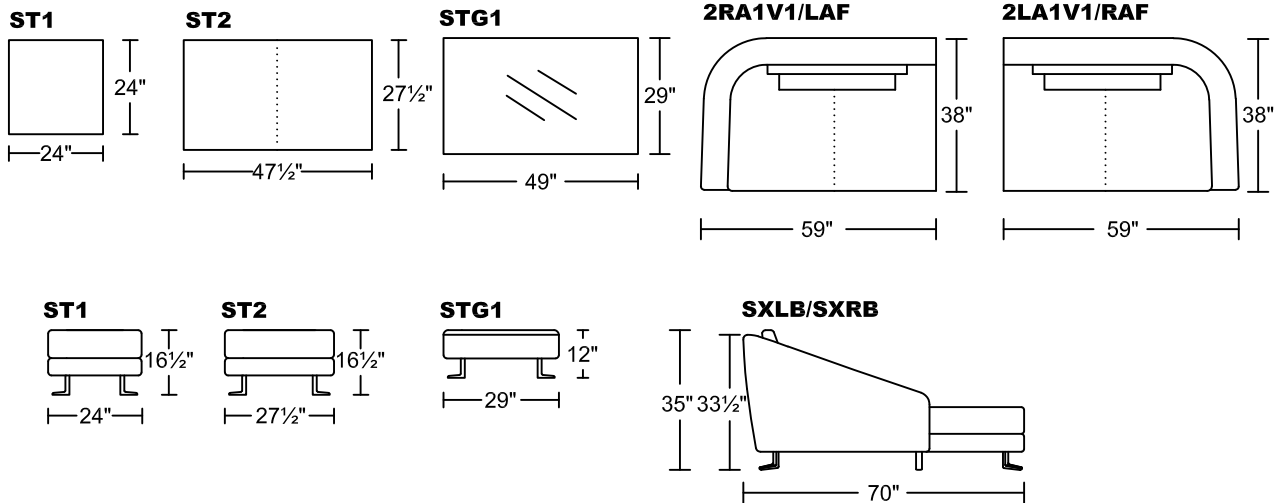
Designed by Michele Mantovani



1. 2LA1V1/2RA1V1, SXLB/SXR/LAF are designed to have sloping back frames, so they are meant to form fixed combination, not recommend to form combination with other items;
2. Remaining items have linear back frames(75cm height), which can form usual combinations freely as other KG models.

OLA I 0661A-M1

Designed by Michele Mantovani



1. 2LA1V1/2RA1V1, SXLB/SXRB are designed to have sloping back frames, so they are meant to form fixed combination, not recommend to form combination with other items;
2. Remaining items have linear back frames(75cm height), which can form usual combinations freely as other KG models.